

 Audi Sport



**Audi TT cup
Spare parts catalogue
2016**

DRAFT V1.0. Release 04/2015
DRAFT V2.0. Release 04/2015
DRAFT V3.0. Release 05/2015
DRAFT V4.0. Release 05/2015
V1.0. Release 06/2015
V2.0. Release 07/2015
V3.0. Release 08/2015
V4.0. Release 11/2015
V4.1 Release 03/2016

The present Spare Parts Catalogue has been produced by SEAT Sport's Technical Office and Sales Department. It is intended only for AUDI TT Cup purposes.

All VW Group references and indexes may be subject to change at any time due to regular updates.

Specific indexes for painting or surface treatments:

- GRU = filler
- KTL = body protection
- 5AP/9B9 = black satin finish
- X7W = white
- 01C = black
- PIN = painted (for carbon parts)

Spare parts sales AUDI TT CUP 2016

The order procedure requires the fulfilment of the form included in the current catalogue and its shipment via e-mail to **Oriol Saperas** oriol.saperas@seat.es. Please include in CC the following people: Detlef Schmidt detlef.schmidt@audi.de,

The order execution includes the following milestones:

- Reception of the form fulfilled by the customer.
- Quotation and availability checking and sending back of the offer to the customer.
- Pre-payment via bank wire / transfer.
- Shipment details information.

Ex-works delivery terms:

- The shipping costs will be paid by the customer.
- The order will be sent as per customer indications.
- SEAT Sport will offer its shipping company in case the customer requests it. Customer's acceptance is compulsory.

Parts revision

Any part needing to be revised, must be sent to SEAT Sport together with the form included in the current catalogue. The form must include the following information: part number, kilometres, type of revision, dysfunction observed and comments.

Contact

SEAT SPORT, S.A.

Avda. Can Amat, 7
E-08630 Abrera
BARCELONA - Spain
<http://seat-sport.seat.es>

Customer department

Xavier Carrasquilla
Tel. +34 93 773 1875
javier.carrasquilla@seat.es

Spare parts

Oriol Saperas
Tel. +34 93 773 3104
oriol.saperas@seat.es

Technical department

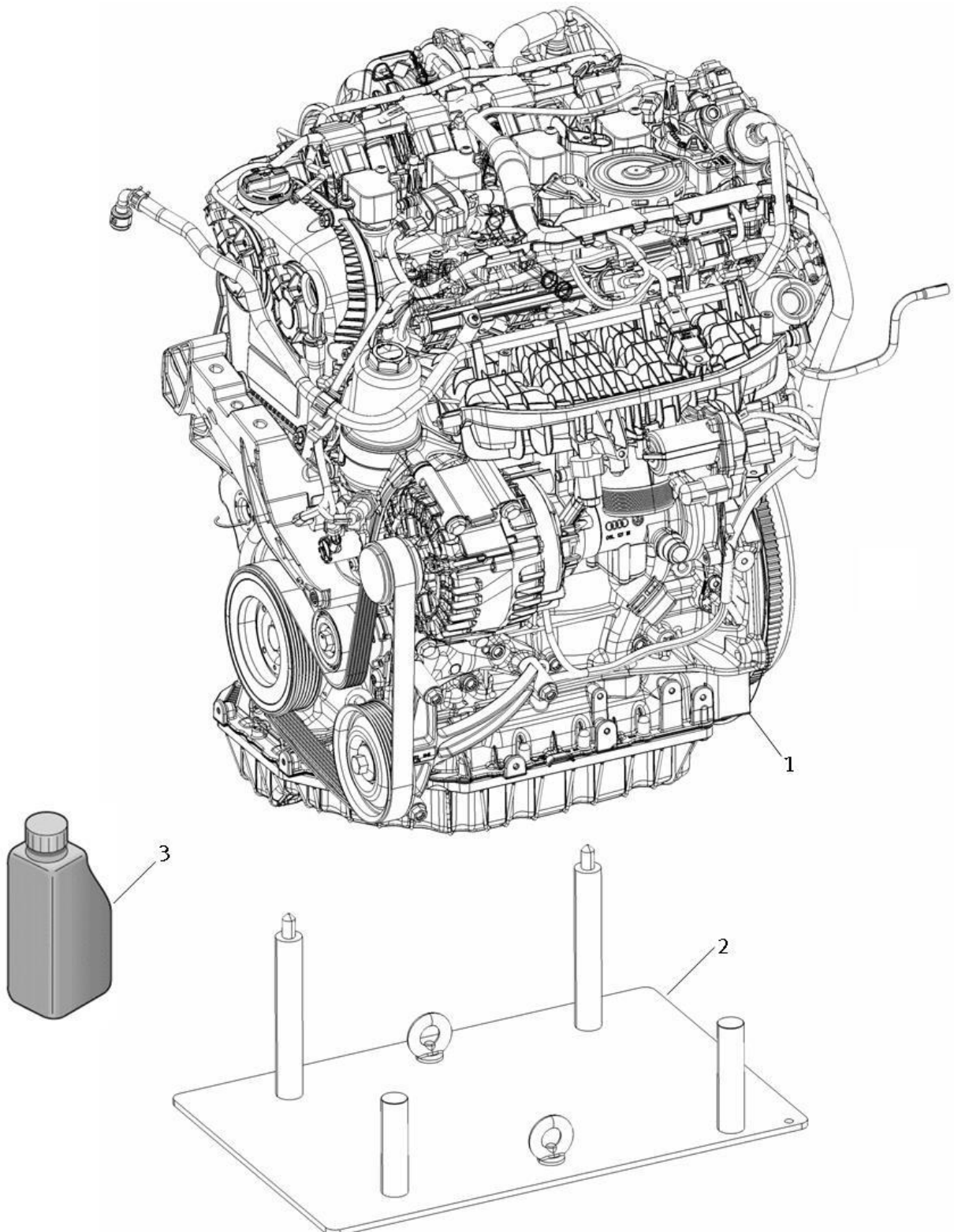
Detlef Schmidt
Tel. +49 84189713356
detlef.schmidt@audi.de

INDEX

Main group	Secondary group	Page
1 ENGINE	ENGINE SUPPORT	3
	ENGINE	5
	ENGINE WATER COOLING SYSTEM	7
	ENGINE AIR INTAKE & TURBO	9
	COOLING SYSTEM	11
	ENGINE SUPPORTS	13
2 FUEL & EXHAUST	TANK & FUEL SYSTEM	15
	EXHAUST	17
3 GEARBOX	GEARBOX	19
	DRIVESHAFT	21
4 FRONT AXLE	FRONT UPRIGHT AND HUB	23
	FRONT SHOCK ABSORBER	25
	FRONT SUBFRAME	27
	WISHBONE	29
	STEERING RACK	31
	STEERING COLUMN	33
	STEERING WHEEL AND SHIFT PADS	35
5 REAR AXLE	REAR AXLE	37
	REAR UPRIGHT AND HUB	39
	REAR SHOCK ABSORBER	41
6 BRAKE / WHEEL	WHEEL & TYRE	43
	FRONT BRAKE	45
	REAR BRAKE	47
	PEDALS AND PUMPS	49
	BRAKE CIRCUIT	51

Main group	Secondary group	Page
8 BODY	BODY	53
	FRONTEND	55
	FRONT DOORS	57
	BONNET	59
	REAR BONNET	61
	REAR WING	63
	FRONT BUMPER	65
	REAR BUMPER	67
	BODY FINISHING	69
	COCKPIT	71
	BACKET & SAFETY BELTS	73
	PILOT BOX	75
	9 ELECTRIC	DATA LOGGER
WIRING LOOM 1		79
WIRING LOOM 2		81
WINDSCREEN WASHER		83
ELECTRONIC COMPONENTS		85
AIRJACK SYSTEM		87
EXTINGUISHER		89
PUSH TO PASS		91

ENGINE SUPPORT



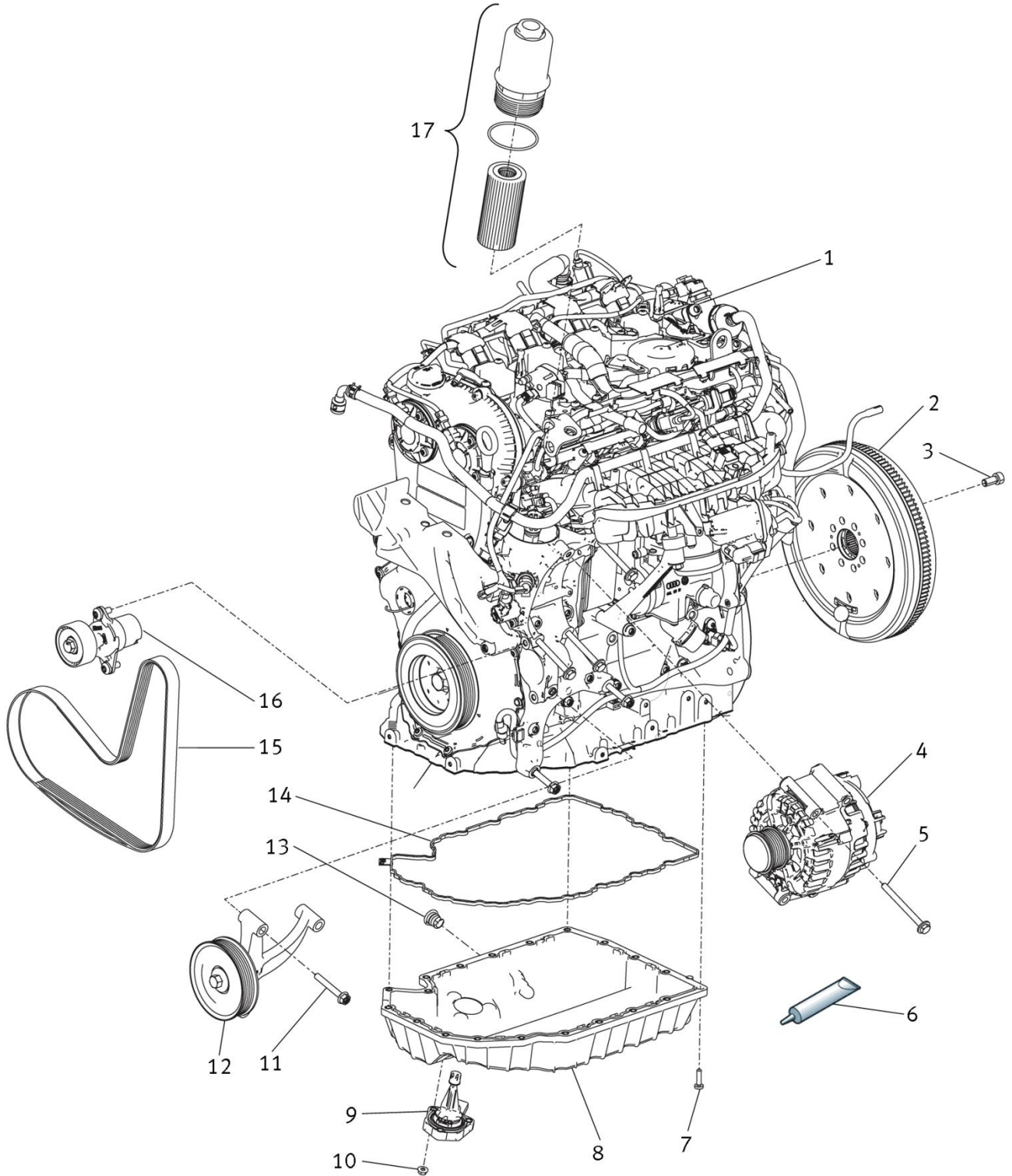


ENGINE SUPPORT

Part n°	Reference	Description	Qty.
1*	8S6100010	COMPLETE ENGINE 2.0 TFSI	1
2	ULH3100001	ENGINE SUPPORT TOOL	1
3	V31 748 026	ENGINE OIL RAVENOL VMP SAE 5W-30 (1L)	1

* Sold only under old part returned to Audi Sport

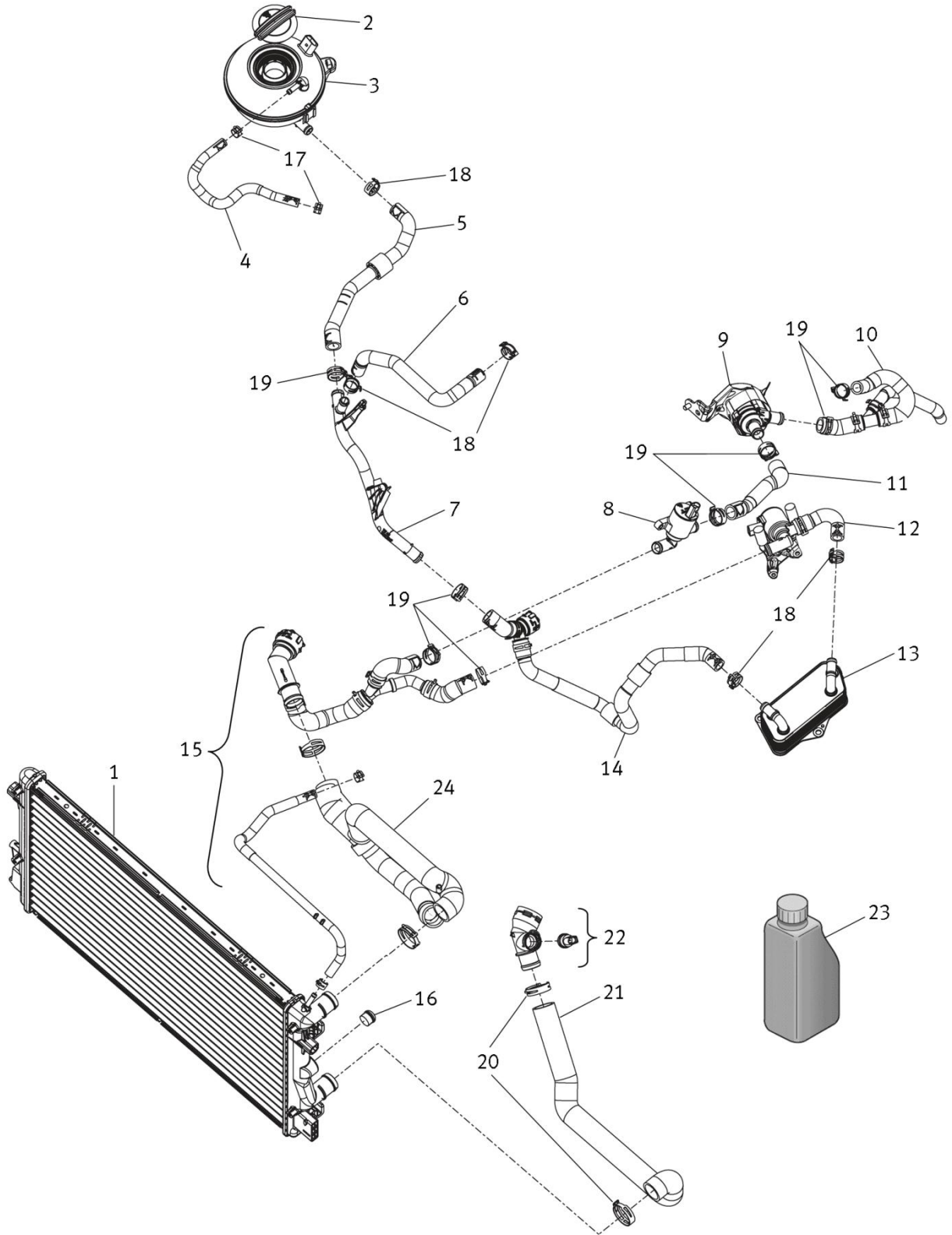
ENGINE



ENGINE

Part n°	Reference	Description	Qty.
1		SEE PAGE 4	
2	_06K105266A	FLYWHEEL	1
3	_N_90665001	FLY WHEEL BOLT	8
4	_06J903023G	ALTERNATOR 14V 140A	1
5	_N_91204501	HEXAGON BOLT	4
6	_D174003M2	SILICONE SEALANT -80 ml-	1
7	_N_91071701	HEXAGON SOCKET FLAT HEAD BOLT M6X25	20
8	_06K103600D	OIL SUMP-LOWER PART	1
9	_03F907660D	OIL LEVEL SENSOR	1
10	_N_01508210	HEXAGON COLLAR NUT M6	1
11	_N_10746301	HEXAGON FLANGE SCREW M8X60	3
12	_06K145172	HOLDER WITH IDLER WHEEL	1
13	_06L103801	SEALING PLUG	1
14	_06K103649	GASKET FOR OIL SUMP	1
15	_06L903137A	POLY-V-BELT 21,36X1132MM	1
16	_06L903133F	BELT TENSIONER DAMPER	1
17	_06L115562	OIL FILTER	1

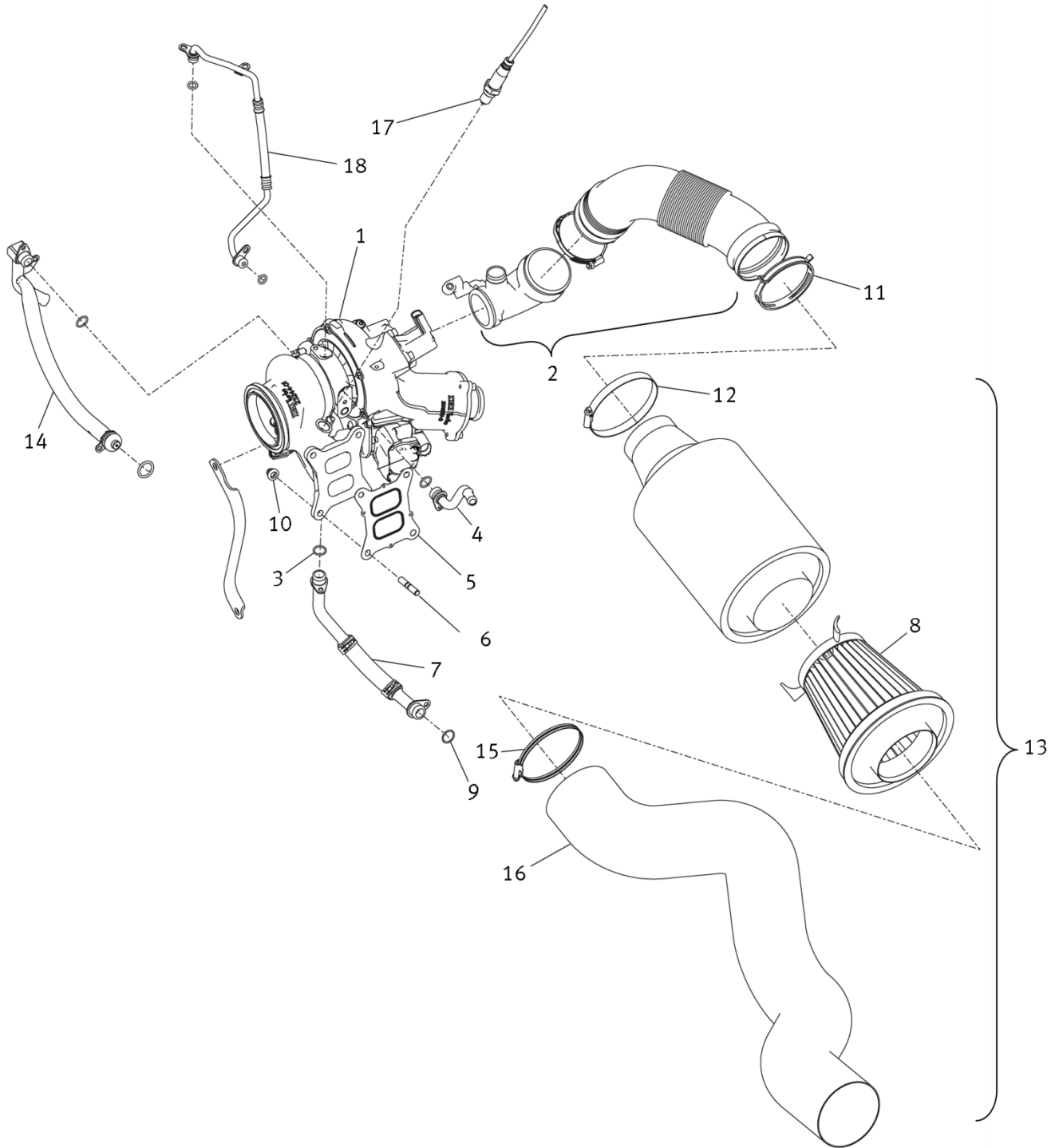
ENGINE WATER COOLING SYSTEM



ENGINE WATER COOLING SYSTEM

Part n°	Reference	Description	Qty.
1	_6R0121253H	WATER RADIATOR	1
2	_3C0121321	CAP	1
3	_5Q0121407G	RESERVOIR	1
4	_5Q0121447G	VENT HOSE	1
5	_5Q0122109J	COOLANT HOSE	1
6	_5Q0121058R	COOLANT HOSE	1
7	_5Q0121070AB	COOLANT PIPE	1
8	_4H0121671D	SOLENOID VALVE	1
9	_5Q0121599AA	WATER PUMP ASSEMBLY	1
10	_5Q0122073AA	COOLANT HOSE WITH QUICK RELEASE COUPLING	1
11	_5Q0122157AB	COOLANT HOSE	1
12	_5Q0122096K	RADIATOR HOSE W/PUMP	1
13	_02E409061D	HEAT EXCHANGER	1
14	_5Q0122058C	COOLANT HOSE WITH QUICK RELEASE COUPLING	1
15	_5Q0122101CF	COOLANT HOSE WITH QUICK RELEASE COUPLING	1
16	VN0005213800	ALUMINUM CAP M22X,5 DIN908	1
17	_N_90686701	SPRING BAND CLAMP 14X12	2
18	_N_90686901	SPRING BAND CLAMP 23X12	5
19	_N_90687001	SPRING BAND CLAMP 27X12	8
20	_N_90687201	SPRING BAND CLAMP 40X12	2
21	V3FL121051C	COOLANT HOSE -LOWER-	1
22	_1K0122291AD	QUICK COUPLING	1
23	V31 098 005	ENGINE COOLANT RAVENOL LGC (1L)	1
24	V3FL121051B	COOLANT HOSE -UPPER-	1

ENGINE AIR INTAKE & TURBO



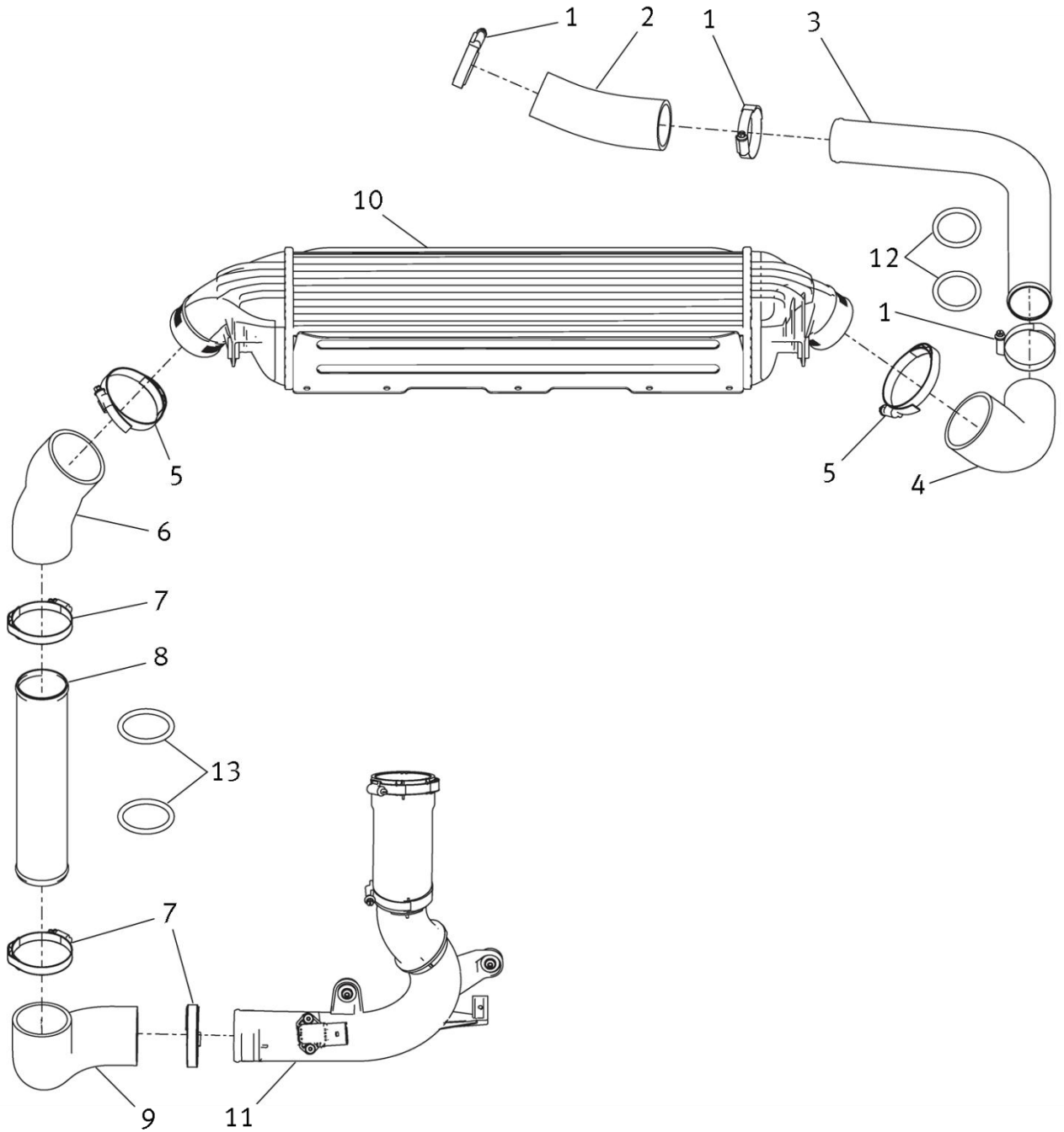
ENGINE AIR INTAKE & TURBO

Part n°	Reference	Description	Qty.
1*	VLH3145701	EXHAUST GAS TURBOCHARGER	1
2	_5Q0129654P	INTAKE HOSE	1
3	_WHT006113	O-RING 15X1,8	1
4	_06K121492F	COOLANT PIPE	1
5	_06L253039	SEAL	1
6	_N__91145003	THREADED PIN M8X22	4
7	_06K145735G	OIL RETURN LINE	1
8	V3FL133838A	AIR FILTER	1
9	_WHT006112	O-RING 16,75X1,65	1
10	_N__91130801	HEXAGON COLLAR NUT SELF-LOCKING M8	4
11	_N__90656501	SPRING BAND CLAMP 85X12	1
12	V3FL133449	AIR FILTER BOX CLAMP	1
13	V3FL133151A	AIR FILTER BOX SET	1
14	_06K121497AD	COOLANT PIPE	1
15	V3FL129601	AIR FILTER BOX SET	1
16	V3FL129618	AIR FILTER BOX SET	1
17	_8V0906262D	LAMBDA SENSOR	1
18	_06K145778E	OIL PIPE	1
**	VN0000052700	CLEANING KIT FOR AIR FILTER	1
**	VN0000052800	CLEANING KIT FOR AIR FILTER	1
**	VN0000052900	CLEANING KIT FOR AIR FILTER	1

* INCLUDES REFERENCES N° 5 & 10

** NOT REPRESENTED

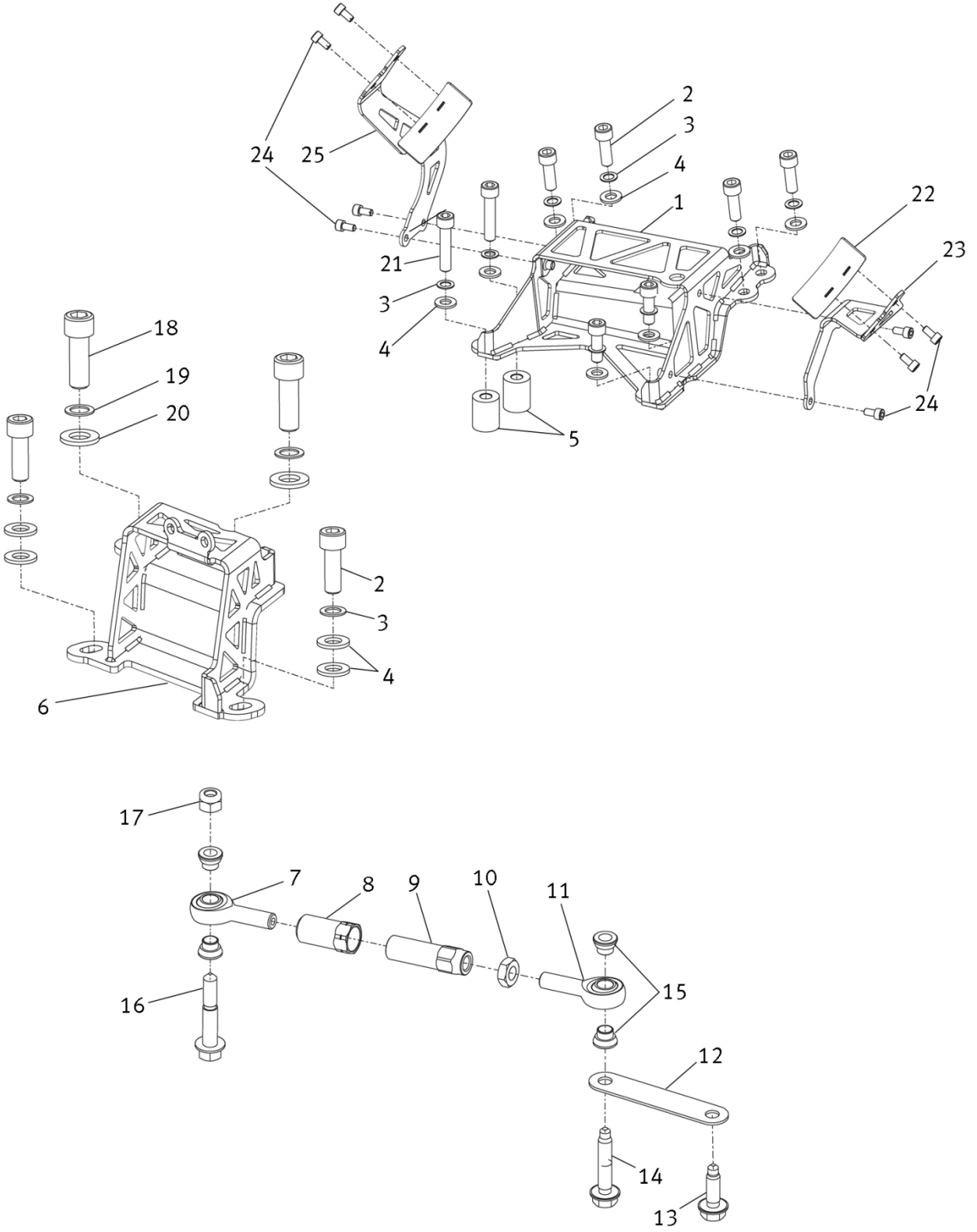
COOLING SYSTEM



COOLING SYSTEM

Part n°	Reference	Description	Qty.
1	_N__10734801	INTAKE INTERCOOLER PIPE -PRESSURE-	3
2	V3FL145695	TURBO TOWARDS INTERCOOLER HOSE EXIT	1
3	V3FL145762	INTERCOOLER OUTLET PIPE	1
4	V3FL145832	CONNECTING PIPE	1
5	_N__0245034	CLAMP 60-80x13x0,5	2
6	V3FL145834	PRESSURE HOSE	1
7	_N__10518901	HOSE CLAMP	3
8	V3FL145761	INTERCOOLER ADMISSION PIPE	1
9	V3FL145861	INTERCOOLER HOSE INTAKE	1
10	V3FL145803A	INTERCOOLER	1
11	_5Q0145792C	INTAKE INTERCOOLER PIPE -PRESSURE-	1
12	VN0002545700	O-RING NBR 45x6	2
13	VN0002545800	O-RING NBR 55x6	2

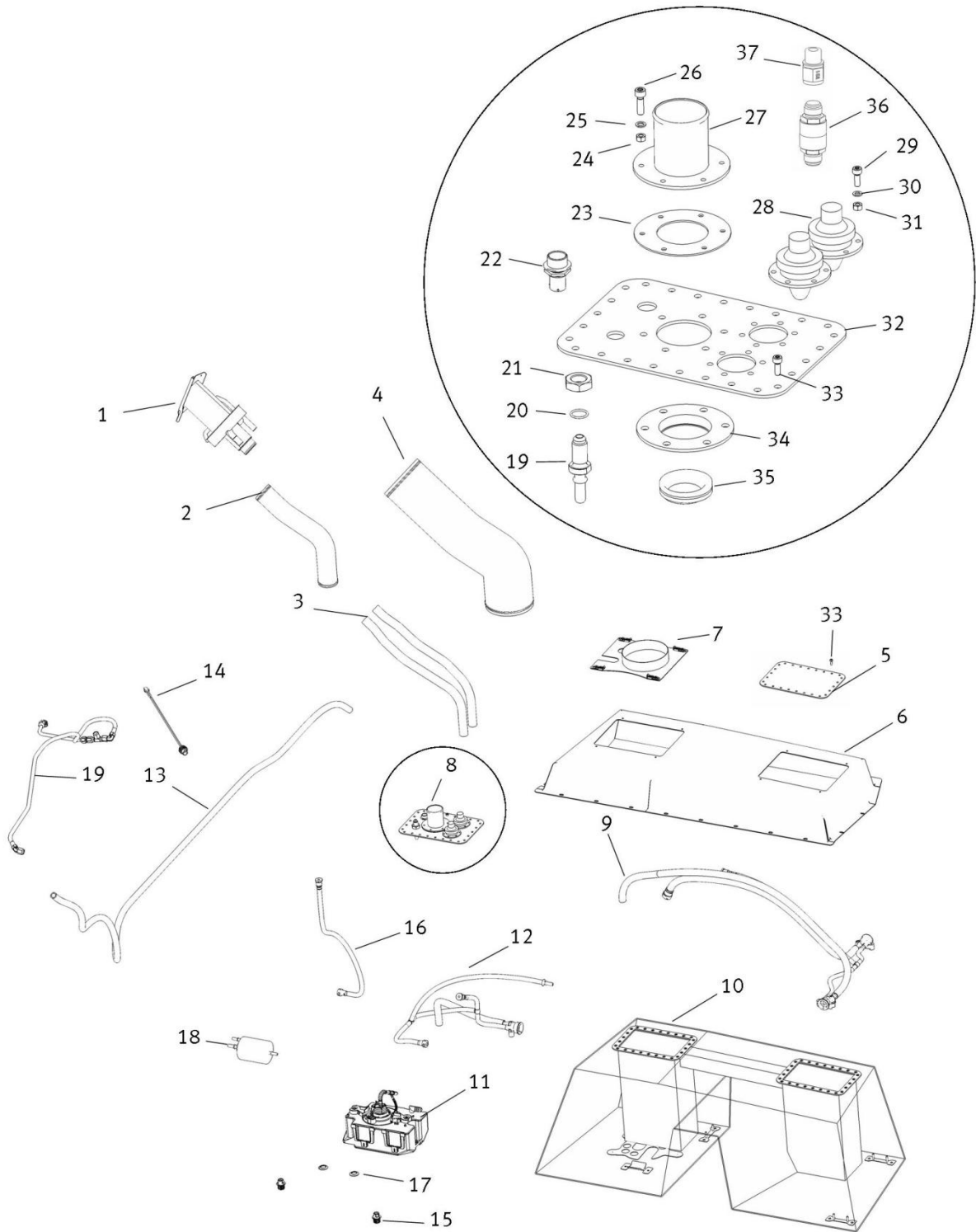
ENGINE SUPPORTS



ENGINE SUPPORTS

Part n°	Reference	Description	Qty.
1	V3FL199555A	GEARBOX SUPPORT	1
2	VN0001161339	ALLEN BOLT M10X30 DIN912 12,9 PAV.	8
3	VN0002150700	PRESSED TYPE WASHER Ø10,5X16	10
4	VN0002001039	FLAT WASHER Ø10 DIN125	12
5	V3FL199561	GEARBOX SUPPORT SPACER	2
6	V3FL199262A	ENGINE SUPPORT	1
7	V2MT313121	MALE BALL JOINT (TURNS LEFT)	1
8	V3FL199818	LEFT NUT M12 (LEND SUPPORT)	1
9	V3FL199852	LEND SUPPORT	1
10	VN0003060318	NUT PAV. 12.9 M12 DIN 936	1
11	V2MT313119	MALE BALL JOINT	1
12	V3GL199436	BRACKET SUPPORT	1
13	_N_10204807	HEXAGONAL HEAD BOLT WITH FLANGE M10X35	1
14	_N_91031702	HEXAGON SOCKET HEAD BOLT M10X50	3
15	V3GL199065	SOCKET JOINT M12	4
16	_N_90781301	BOLT M10X65	1
17	_N_10261310	HEXAGONAL NUT M10	1
18	VN0001172039	ALLEN HEAD BOLT 12.9M12X150X35DIN912	2
19	VN0002150800	PRESSED TYPE WASHER Ø13X18	2
20	VN0002001120	FLAT WASHER Ø12MM	2
21	VN0001162039	ALLEN HEAD BOLT M10x65	2
22	V3FL133173	AIR FILTER ADAPTER	2
23	V3FL133175	AIR FILTER FRONT SUPPORT	1
24	_N_10098811	BOLT M6x16	8
25	V3FL133172A	AIR FILTER REAR SUPPORT	1

TANK & FUEL SYSTEM

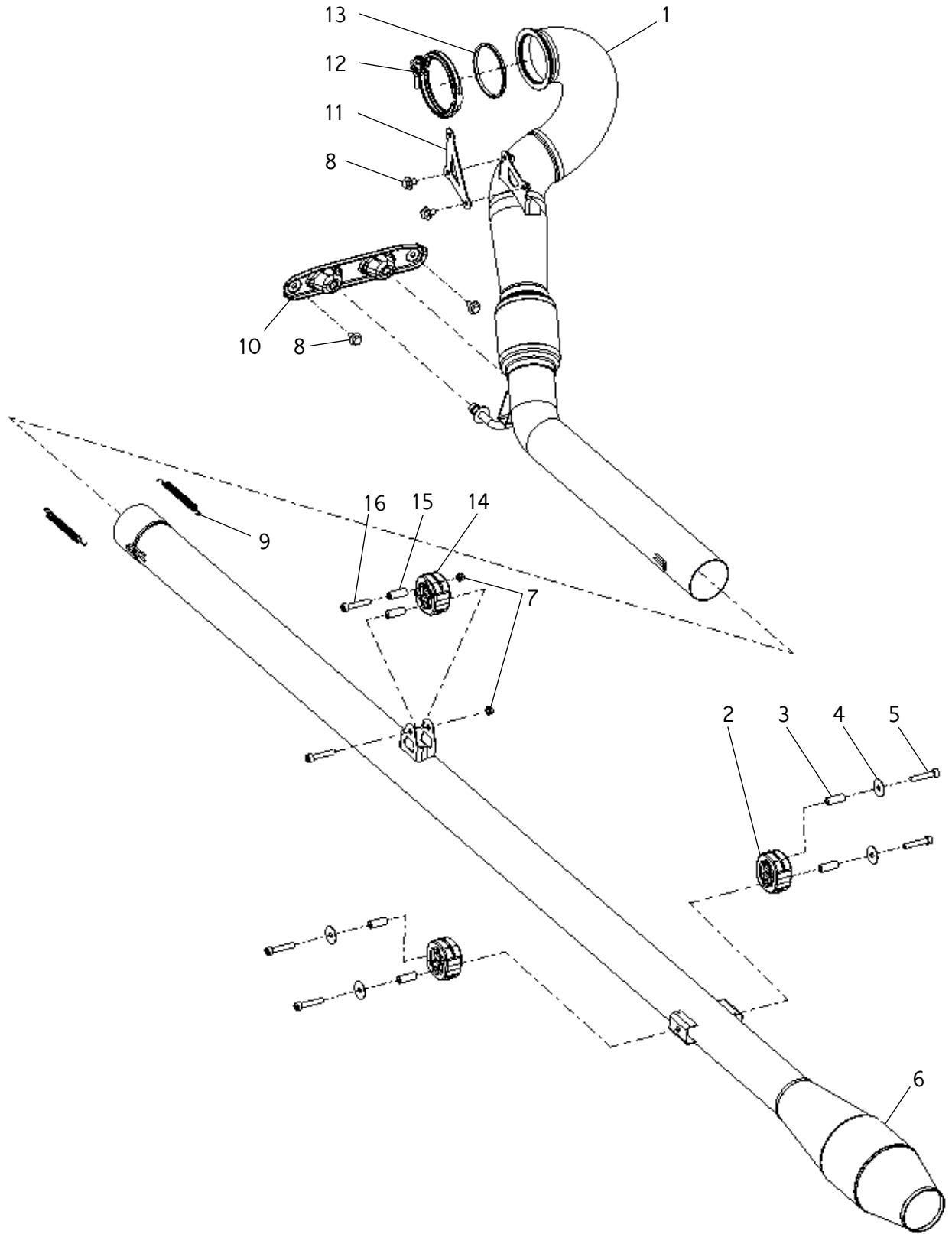


TANK & FUEL SYSTEM

Part n°	Reference	Description	Qty.
1	8S6201135B	FILLER NECK (G)	1
2	8JR201548	FILLER HOSE	1
3	8JR201384	HOSE 500mm	2
4	8JR201201	PROTECTING HOSE	1
5	8JR201319	FLANGE PLATE	1
5 bis	8JR201319C	FLANGE PLATE	1
6	8S6201881A	COVER TANK	1
7	8JR803961	COVER TANK LEFT	1
7 bis	8S6803961	COVER TANK RIGHT	1
8	8JR201117	FILLER NECK	1
9	8JR201863	SUCTION JET PUMP	1
10	8JR201075	FUEL RESERVOIR ASSY.	1
11	8JR201444	FUEL PUMP ASSY.	1
12	8JR201864	SUCTION JET PUMP	1
13	8S6201757	FUEL HOSE	1
14	8JR971316	WIRING SET	1
15	8JR201067	DE-COUPLING PART	3
16	8JR201220	SUPPLY PIPE (Z)	1
17	8JR201442	CLAMPING RING	3
18	_4F0201511E	FUEL FILTER	1
19	8JR201049A	FUEL LINE CONNECTION	1
20	N90851401	SEAL	1
21	N01116417	NUT	1
22	8JR971316	HOSE FUEL PUMP	1
23	8JR201621	GASKET FILLER NECK	1
24	N02300214	NUT	6
25	V31671043	SEAL	6
26	N10653601	SCREW	6
27	8JR201117	FILLER NECK	1
28	8JR201751	POP OFF VALVE ASSEMBLY	2
29	N10622502	SCREW	12
30	V31671042	SEAL	12
31	N0221544	NUT	12
32	8JR201319C	SEALING FLANGE	1
33	N10609501	SCREW	26
34	8JR201785	VALVE ASSEMBLY	1
35	8JR201811	VALVE	1
36	42A201811	ROLLOVER VALVE	1
37	V31683081	FITTING	1
*	PENDING	HOSE FOR FUEL DRAIN	1
*	V4PL201948	FUEL QUICK REALEASE	1

* NOT REPRESENTED

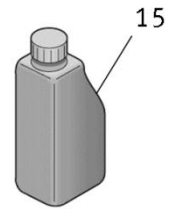
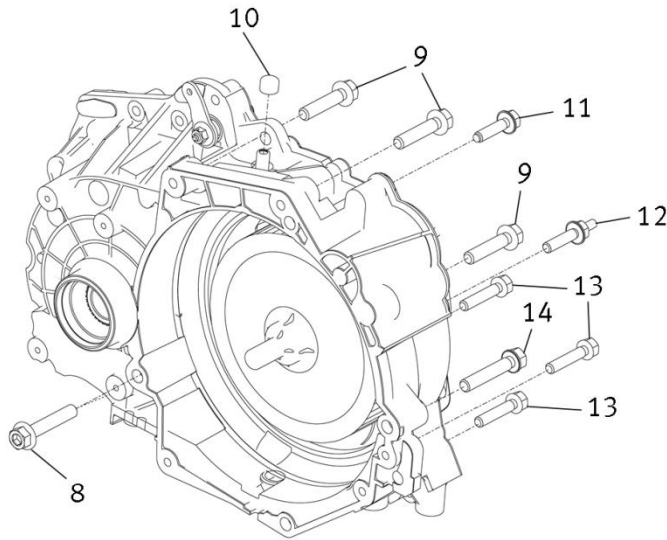
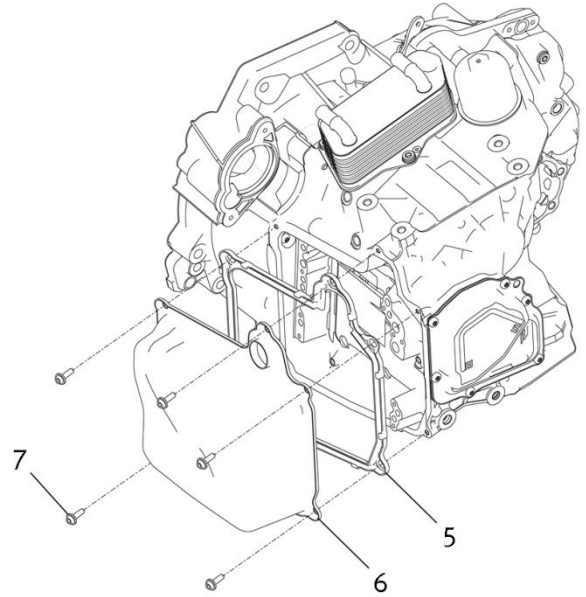
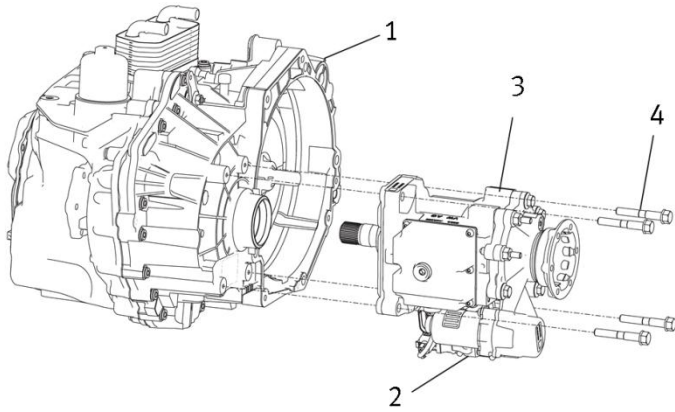
EXHAUST



EXHAUST

Part n°	Reference	Description	Qty.
1	V3FL253059	FRONT EXHAUST SYSTEM	1
2	_8L9253147	RUBBER SUPORT	2
3	V3FL253579	EXHAUST SILENTBLOCK SPACER	4
4	VN0002221410	FLAT WASHER ZN Ø8X30 DIN522	4
5	VN0001157939	ALLEN BOLT M8X60 DIN912 12.9 PAV.	4
6	8S6253181	MIDDLE-REAR EXHAUST SYSTEM	1
6 bis	8S6253181B	LOW NOISE EXHAUST SYSTEM	1
7	_N_10435508	COLLAR NUT	2
8	_N_91079301	HEX COLLARED BOLT M8X16	4
9	V3FL253496	EXHAUST SPRING	2
10	_1K0253144AE	SILENTBLOCK SUPPORT	1
11	V3FL253249	EXHAUST SUPPORT	1
12	_5Q0253725C	CLAMP	1
13	_5Q0253115B	SEAL	1
14	_8D0253147E	RUBBER SUPPORT	1
15	V3GL253579	EXHAUST SILENTBLOCK SPACER	2
16	VN0001157639	ALLEN BOLT M8X45 DIN912 12.9 PAV.	2

GEARBOX



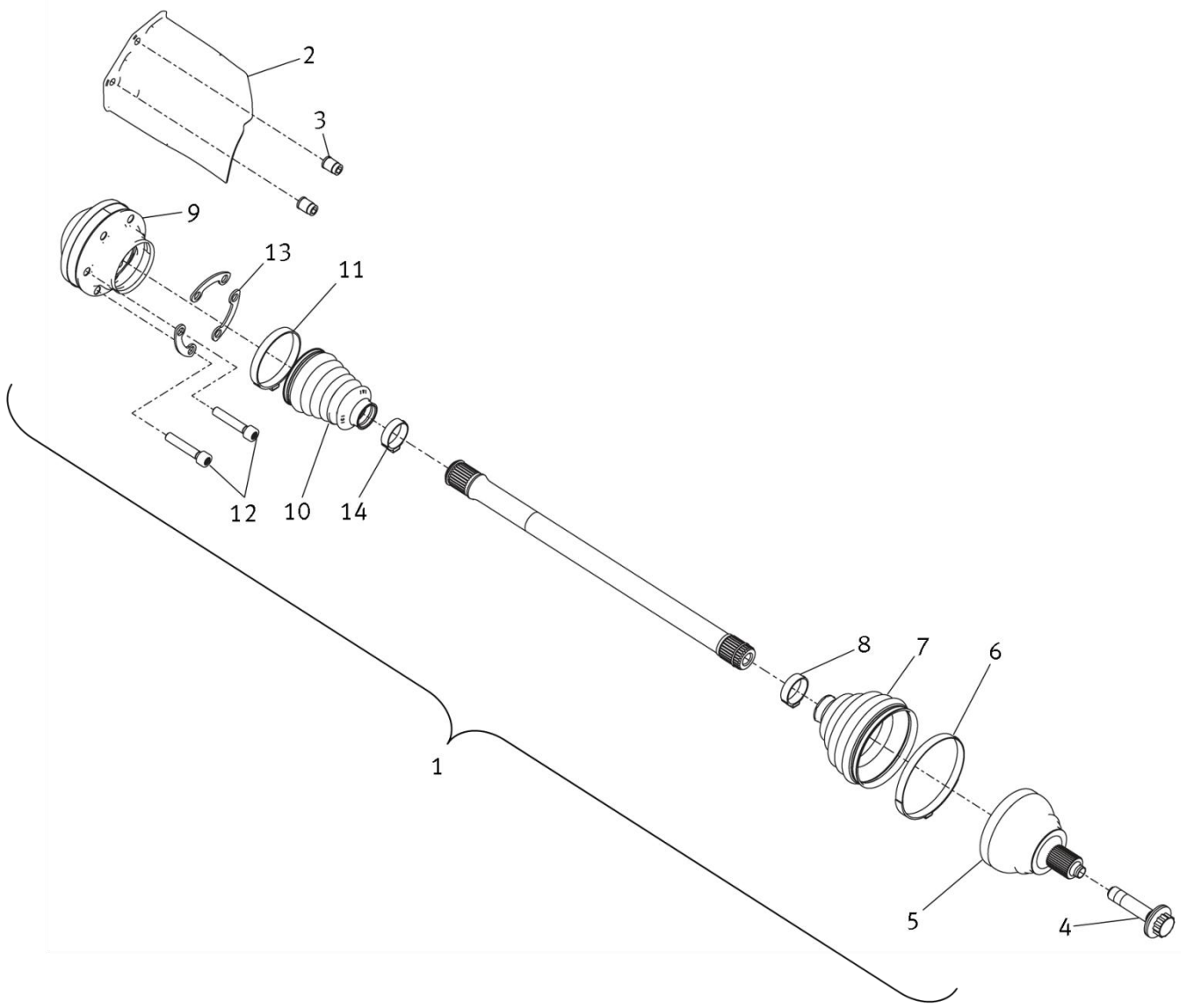
GEARBOX

Part n°	Reference	Description	Qty.
1*	VL1G300020	GEARBOX MQB DQ-250 + VAQ	1
2	VL1G907321	VAQ PUMP	1
3*	8S6409055	FRONT AXLE DIFFERENTIAL LOCK	1
4	_N_90990202	BOLT M10X11X70	4
5	_02E321371E	GASKET	1
6	_02E325201D	COVER	1
7	_N_91032702	BOLT M20x20	5
8	_N_10692401	HEXAGON HEAD BOLT (COMBI) M12X70	1
9	_N_91030402	BOLT M12X55	3
10	_095409841	VENTILATION CAP	2
11	_N_90956402	BOLT M10X45	1
12	_N_91191701	BOLT M10X40 - M8X16	1
13	_N_91031702	HEXAGON SOCKET HEAD BOLT M10X50	3
14	_N_91060202	HEX COLLARED BOLT M12X1,5X65	1
15	V31 748 027	GEARBOX OIL RAVENOL DCT/DSG (1L)	1
**	VL1G325025	MECHATRONIC WITH SOFTWARE	1
**	VL1G301400	BREATHING LINE	1
**	_G060175A2	HIGH-PERFORMANCE OIL FOR HALDEX COUPLING	1

* Sold only under old part returned to Audi Sport

** NOT REPRESENTED

DRIVESHAFT

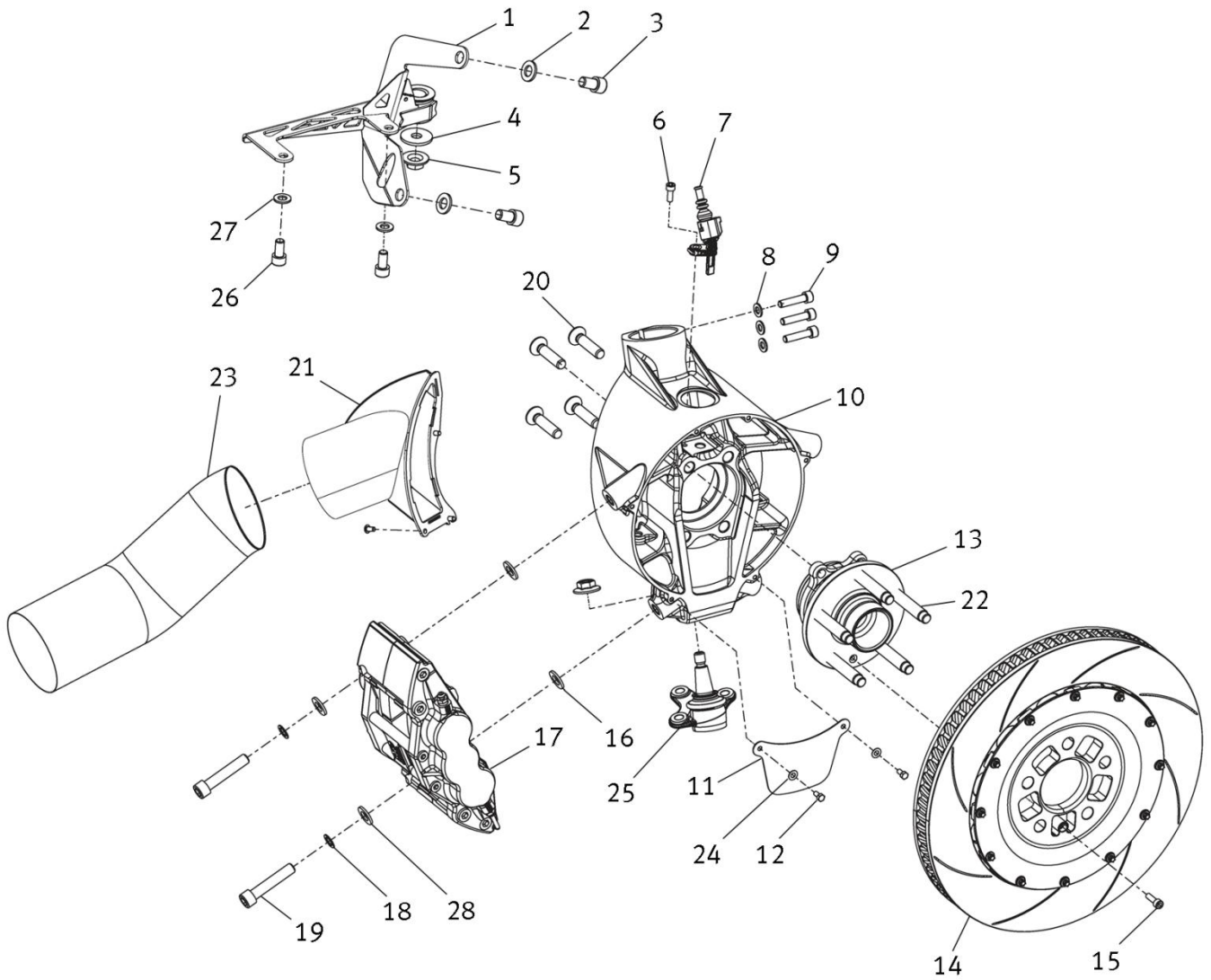


DRIVESHAFT

Part n°	Reference	Description	Qty.
1	V3FL407271A	LEFT DRIVESHAFT ASSEMBLY	1
1 bis	V3FL407272A	RIGTH DRIVESHAFT ASSEMBLY	1
2	_5Q0407720	GUARD PLATE	1
3	_1K0407407	HEXAGON SOCKET HEAD PIPE NUT M8X20X15	2
4	_WHT005437	DODECAGONAL HEAD BOLT M16X1.5X70	2
5	_3C0407311A	OUTER CONSTANT VELOCITY JOINT	2
6	V3FL407291	DRIVESHAFT CLAMP	2
7	V2MT407285	OUTER CONSTANT VELOCITY JOINT BELLOW	2
8	V3FL407292	DRIVESHAFT CLAMP	2
9	_1K0407331	INNER CONSTANT VELOCITY JOINT	2
10	_1K0407283A	INNER CONSTANT VELOCITY JOINT BELLOW	2
11	_N__90947301	CLAMP 75X10X1	2
12	_N__90991102	SOCKET HEAD BOLT WITH INNER M10X52	12
13	_1K0407357D	SPACER	6
14	_N__10609101	DRIVESHAFT CLAMP	2
*	VN0000040401	CV JOINT GREASE 300Gr	1

* NOT REPRESENTED

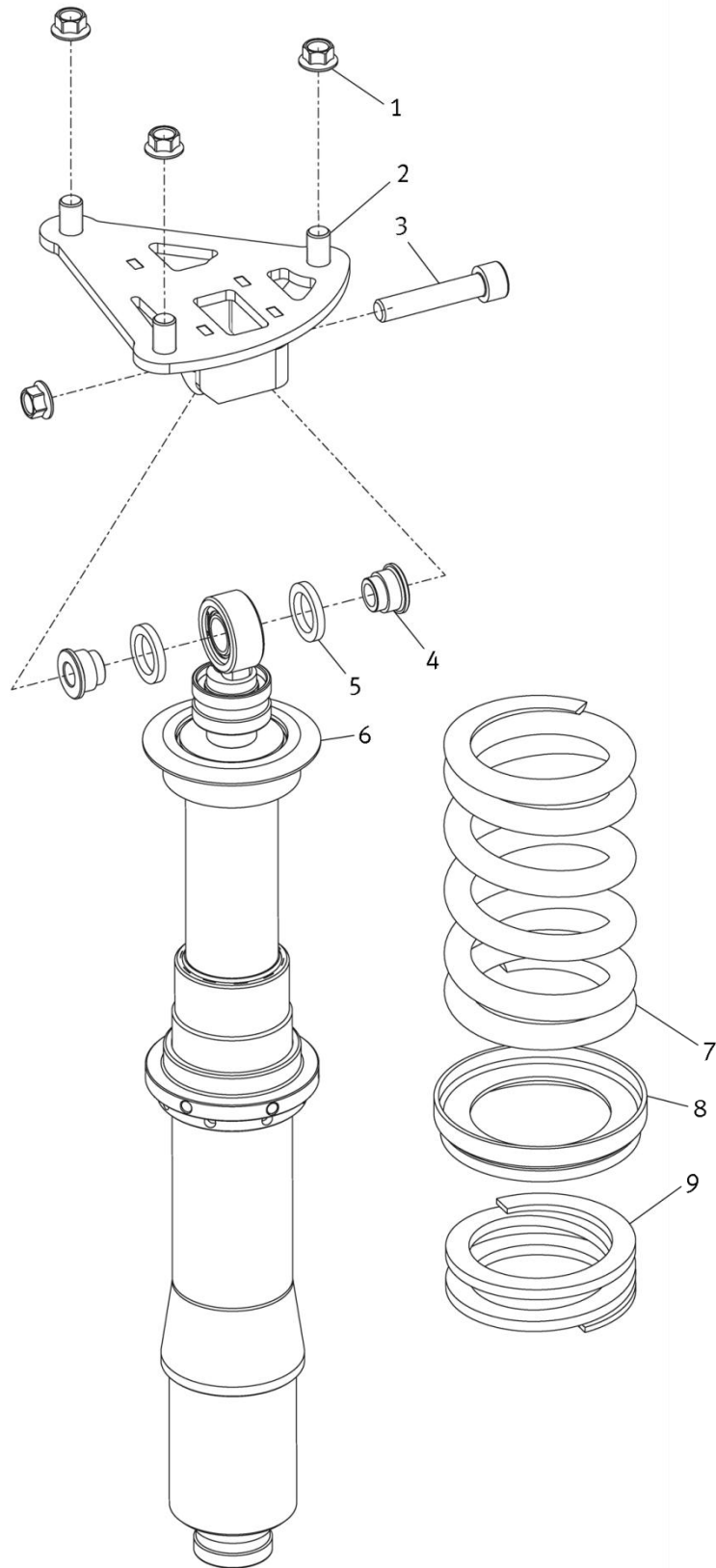
FRONT UPRIGHT AND HUB



FRONT UPRIGHT AND HUB

Part n°	Reference	Description	Qty.
1	8S6407839C	BRACKET (Z)	1
1 bis	8S6407840C	BRACKET (Z)	1
2	VN0002001139	FLAT WASHER Ø12 DIN125	4
3	VN0001165039	ALLEN HEAD BOLT 12.9 M12X20DIN912	4
4		SEE PAGE 32	
5		SEE PAGE 32	
6	_N_01474011	HEXAGONAL HEAD NUT M6X16	2
7	_WHT003856	WHEEL SPEED SENSOR (LEFT)	2
8	VN0002150600	PRESSED TYPE WASHER Ø8,5X13	6
9	VN0001157439	ALLEN BOLT M8X30 DIN912 12,9 PAV.	6
10	5F6407251	UPRIGHT / HUB ASSEMBLY (L/R)	2
11	V3FL615311A	THERMAL PROTECTION PLATE	2
12	VN0001148539	ALLEN BOLT M5X10DIN912	4
13	V3FL407611	WHEEL HUB ASSEMBLY	2
14		SEE PAGE 46	
15	VN0001153216	ALLEN BOLT M6X25 DIN912 8.8 ZN.	2
16	5F6407728B	SPACER	4
17		SEE PAGE 46	
18	VN0002001139	FLAT WASHER Ø12 DIN125	4
19	VN0001166339	ALLEN BOLT CIL PAV 12.9 M12X80DIN912	4
20	_WHT000237	HUB-WHEEL BEARING HOUSING FIXATION BOLT	8
21	V3FL615051A	FRONT BRAKE COOLING TUBE ASSY.	1
21 bis	V3FL615052A	FRONT BRAKE COOLING TUBE ASSY.	1
22	5F6601295	WHEEL BOLT	10
23	8S6615357	BELLOWS -600mm-	2
24	VN0002150300	PRESSED TYPE WASHER Ø5,2X9	4
25		SEE PAGE 30	
26	VN0001161039	ALLEN HEAD BOLT 12.9 M10X20DIN912	4
27	VN0002001010	WASHER Ø10 DIN125 ZN.	4
28	VN0002250710	FLAT WASHER ZN Ø12X20 e=3 DIN1440	4

FRONT SHOCK ABSORBER

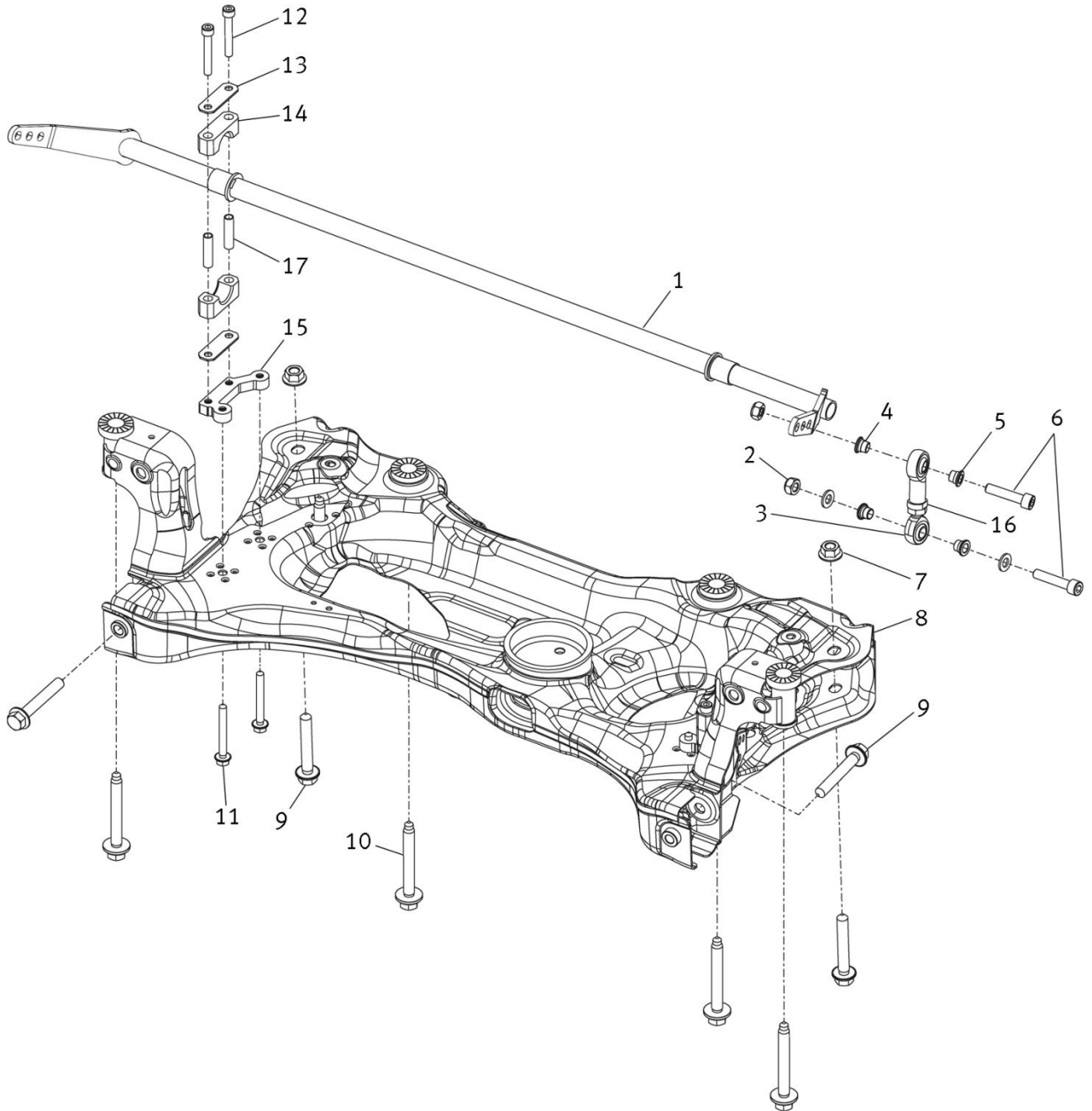


FRONT SHOCK ABSORBER

Part n°	Reference	Description	Qty.
1	VN0003221000	AVIATION'S NUT M10	8
2	V3FL412331A	SACHS FRONT SHOCK ABSORBER FIXATION	1
2 bis	V3FL412332A	UPPER SPRING SUPPORT ASSY. -KONI-	1
3	VN0001161739	ALLEN BOLT M10X50 DIN912 12.9 PAV.	2
4	V3FL412091	SACHS FRONT SHOCK ABSORBER UPPER SPACER	4
5	V2MT413220	SHOCK ABSORBER BALL JOINT DUST COVER	4
6	5F6413031	FRONT SHOCK ABSORBER	1
7*	8S6411105A	HELICAL SPRING 60-100-170	1
7 bis	8S6411105	HELICAL SPRING 60-90-170	1
7 bis	8S6411105B	HELICAL SPRING 60-110-170	1
7 bis	8S6411105C	HELICAL SPRING 60-120-170	1
8	V2MT411113C	SPRING SPACER Ø80mm.	1
9	VN0020018100	TENDER SPRING 60-60-002	1

* SERIAL SPRING

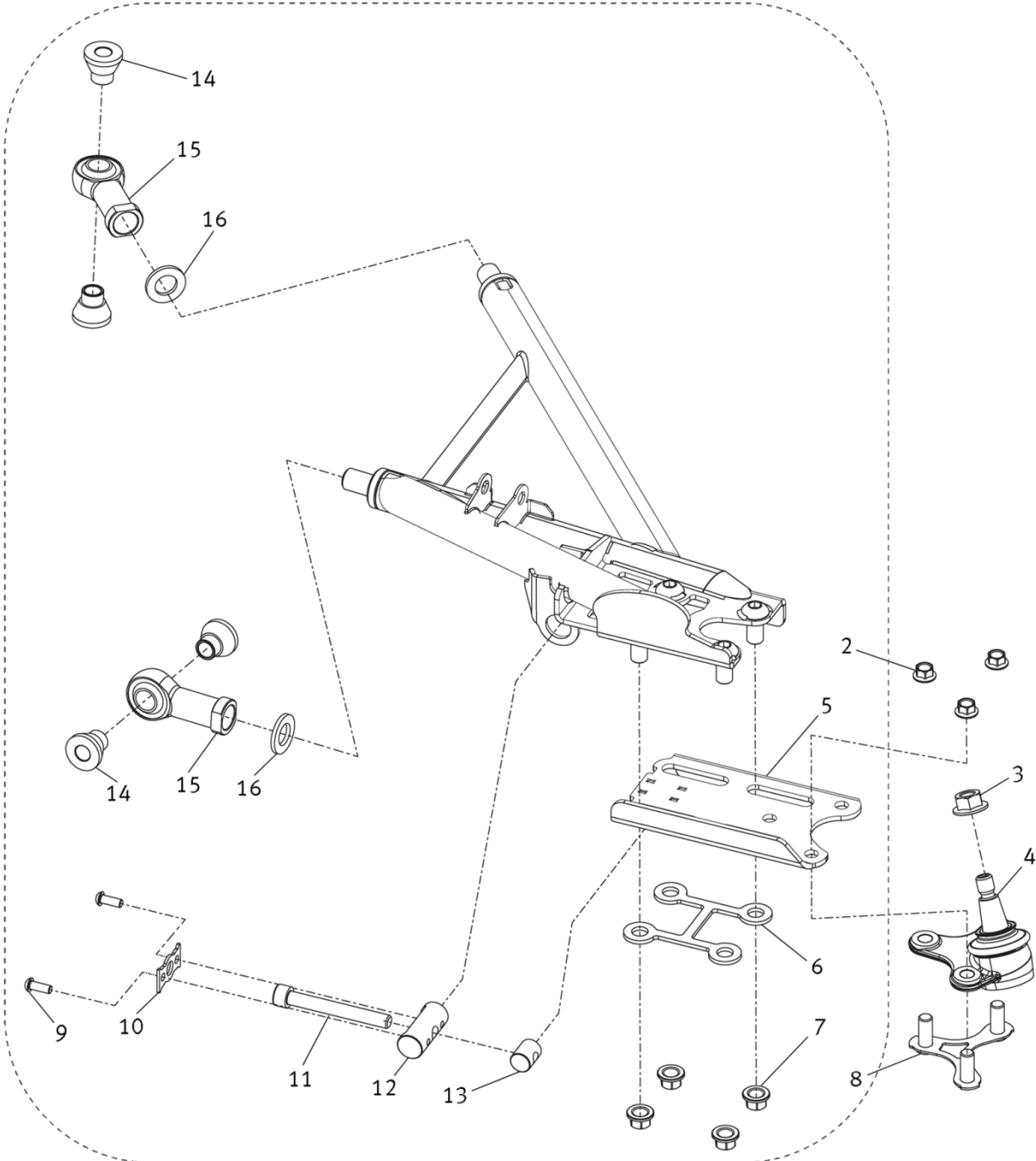
FRONT SUBFRAME



FRONT SUBFRAME

Part n°	Reference	Description	Qty.
1	V3FL411303	ARB ASSEMBLY AV Ø22X3	1
1 bis	V3FL411303A	ARB ASSEMBLY AV Ø22X2 (G)	1
2	VN0003221000	AVIATION'S NUT M10	4
3	VN0005401212	FEMALE BALL JOINT Ø12X1,75 RIGHT -TEFLON	2
4	VN0005401012	MALE BALL JOINT Ø12X1,75 RIGHT -TEFLON	2
5	V3FL411387A	BALL JOINT SPACER	8
6	VN0001161639	ALLEN BOLT M10X150X45 DIN912 12,9 PAV.	4
7	_N_0150816	HEXAGON COLLAR NUT M12X1,5	2
8	V3FL199313	FRONT SUBFRAME ASSEMBLY	1
9	_N_10640501	BOLT, HEX.HD.WITH SHOULD. M12X1,5X80	4
10	_N_10785401	HEXAGON FLANGE SCREW (COMBI) M12X1,5X65	4
11	_N_10690201	SUB-FRAME WITH RUBBER MOUNTING	4
12	VN0001157839	ALLEN HEAD BOLT M8x55	4
13	V3FL511456	ANTI ROLL BAR SUPPORT PLATE	4
14	V3FL511453	ANTI ROLL BAR SUPPORT	2
15	V3FL411175	SPACER	2
16	VN0003060318	NUT PAV. 12.9 M12 DIN 936	2
17	V3FL511353	SPACER	4

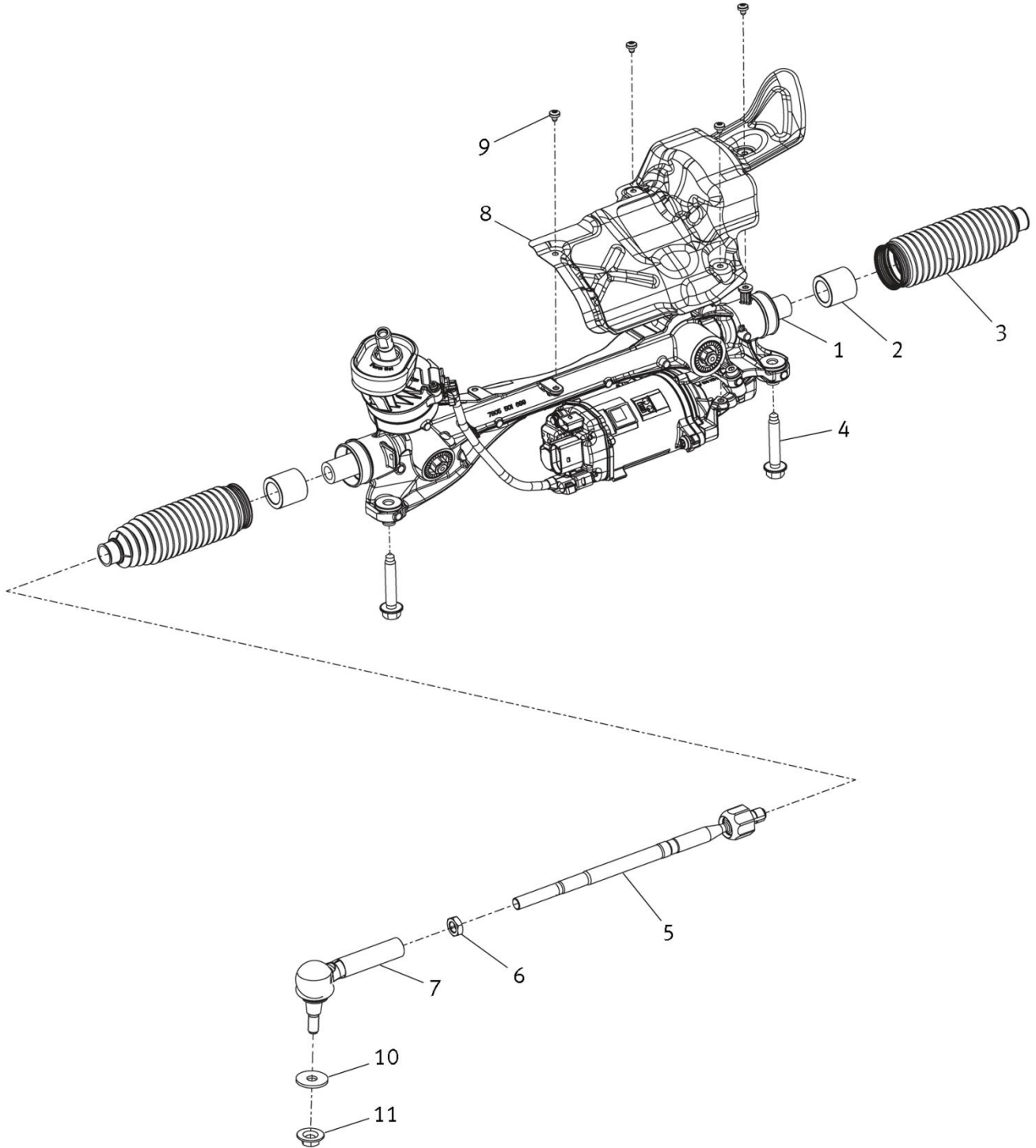
WISHBONE



WISHBONE

Part n°	Reference	Description	Qty.
1	8S6407153	WISHBONE WITHOUT BALL JOINT	1
1 bis	8S6407154	WISHBONE WITHOUT BALL JOINT	1
2	VN0003221000	AVIATION'S NUT M10	6
3	_N_10106402	HEXAGON COLLAR NUT SELF-LOCKING M12X1,5	2
4	V3FL407365	GUIDE JOINT LEFT	1
4 bis	V3FL407366	GUIDE JOINT RIGHT	1
5	8S6407189	LEFT ARM CAMBER PLATE (G)	1
5 bis	8S6407190	RIGHT ARM CAMBER PLATE (G)	1
6	V3FL407323	REGULATION PLATE	2
7	VN0003221200	K-NUT M12	8
8	V3FL407375	GUIDE JOINT PLATE ASSY. -AV- (G)	2
9	VN0001905939	ALLEN BOLT M6x15	4
10	V3FL407478	REGULATION SCREW FIXATION PLATE	2
11	VN0001021039	ALLEN BOLT M10X80 DIN912 12,9 PAV.	2
12	V3FL407477	REGULATION FIXED SPACER	2
13	V3FL407476	REGULATION MOBIL SPACER	2
14	V3FL407184	SPHERICAL BEARING SPACER	8
15	VN0005401616	FEMALE BALL JOINT Ø16X1,50 RIGHT	4
16	VN0002052639	ADJUST WASHER 12.9 Ø16E=0,2 DIN988	4

STEERING RACK

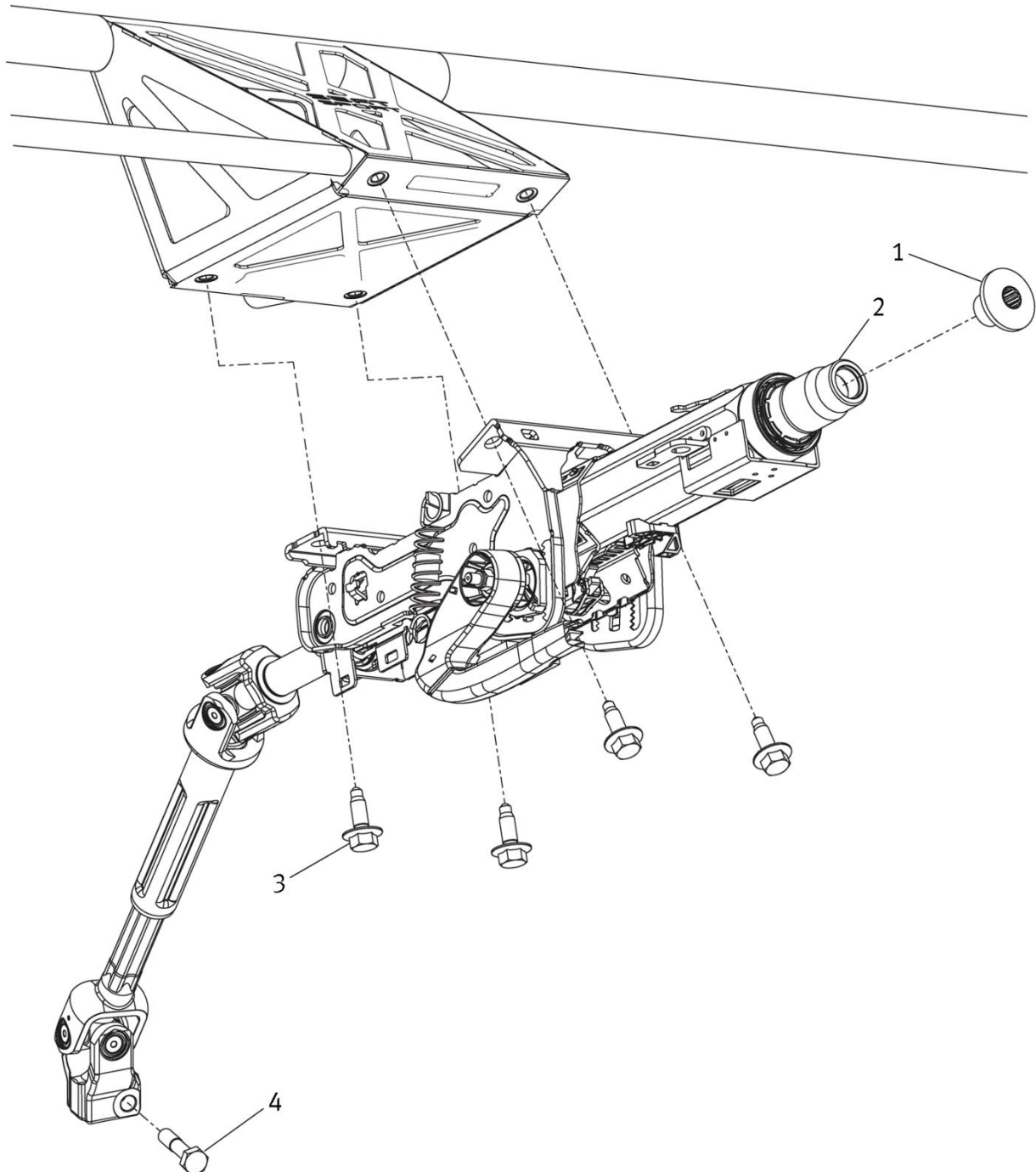


STEERING RACK

Part n°	Reference	Description	Qty.
1	5F6423055	STEERING RACK	1
2	V3FL419345A	STEERING RACK STOPPER	2
3	_1K0423831A	BELLOW	2
4	_N__10552401	BOLT HEXAGONAL M12X75	2
5	8S6423810	AXIAL JOINT (Z)	2
6	_N__10218708	HEXAGONAL NUT M14X1,5	2
7	_420419811A	BALL JOINT	2
8	_5Q1423981D	THERMAL PROTECTION	1
9	_N__90915802	HEX.SOCKET HEAD BOLT,THREAD-FORMING M6X7	4
10	VN0002170710	WASHER 12mm	2
11	_WHT000785	HEXAGON COLLAR NUT M12X1,5	2
*	V3FL971111	POWER STEERING WIRING SET -VAQ-	1

* NOT REPRESENTED

STEERING COLUMN

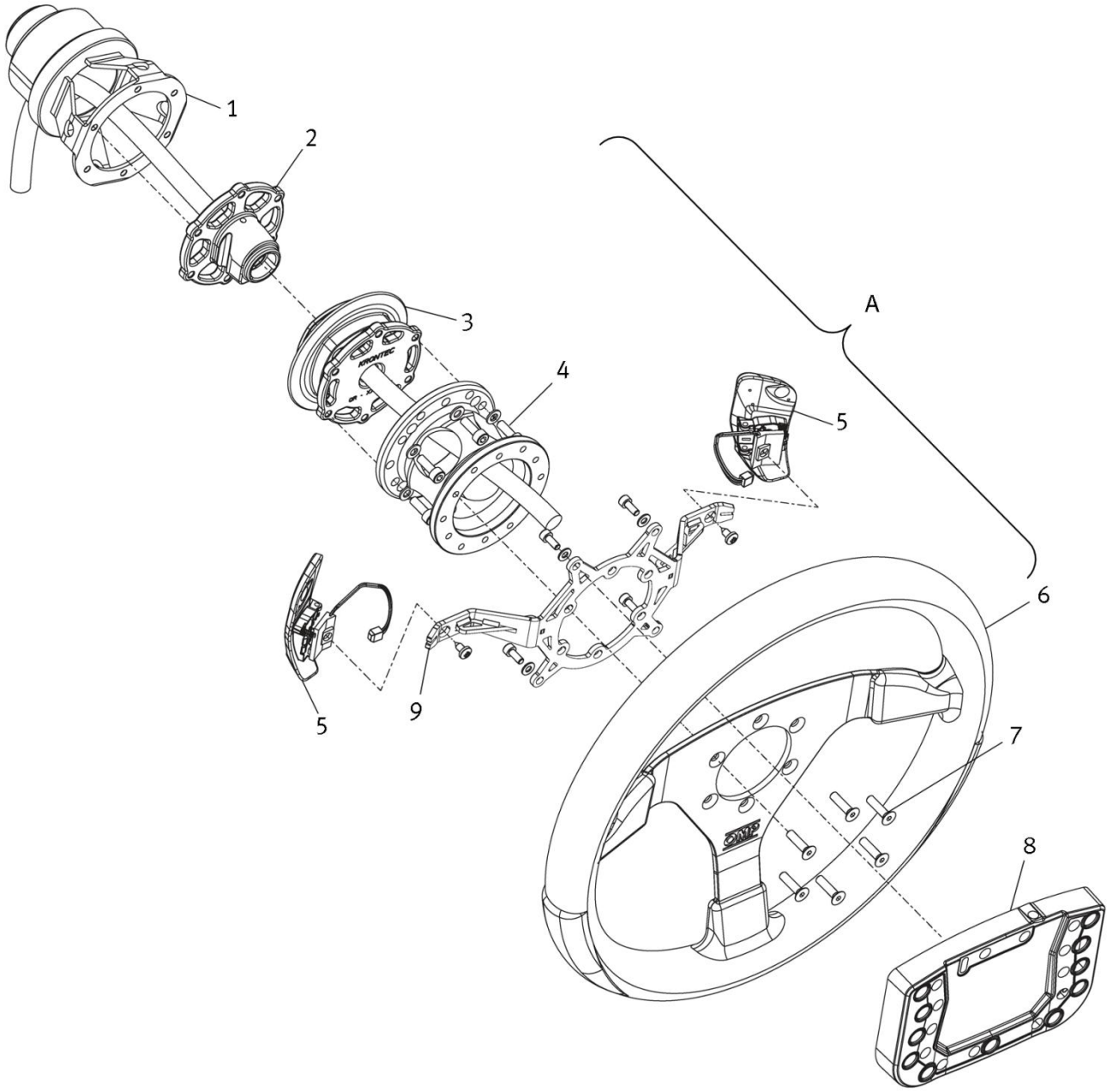




STEERING COLUMN

Part n°	Reference	Description	Qty.
1	_N_90799102	SOCKET HEAD BOLT M18X1.5X18	1
2	V3FL419502	STEERING COLUMN ASSY.	1
3	_N_0195307	HEX COLLARED BOLT M8X25	4
4	_N_01033513	BOLT M8x35	1

STEERING WHEEL AND SHIFT PADS

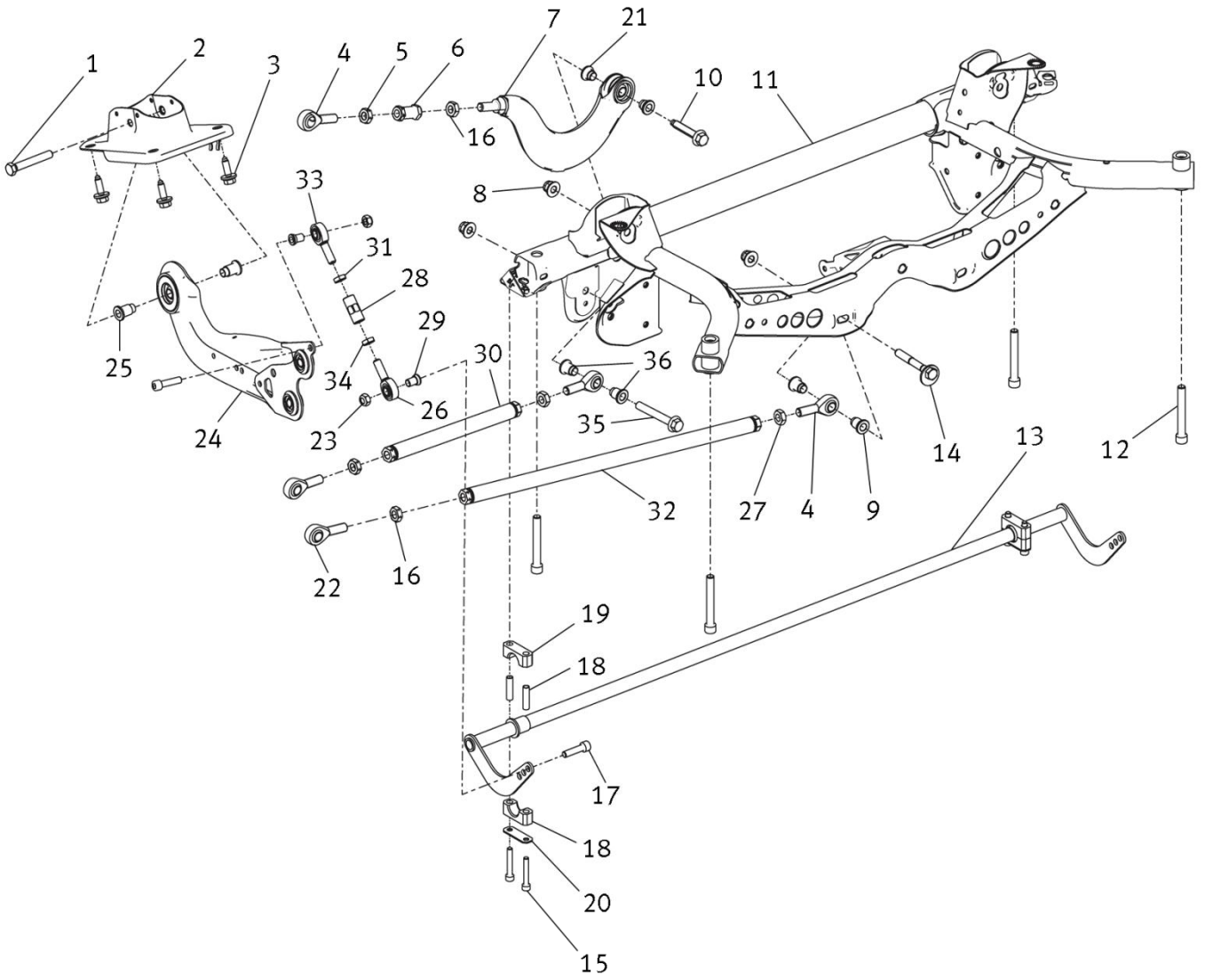


STEERING WHEEL AND SHIFT PADS

Part n°	Reference	Description	Qty.
A	8S6419089	COMPLETE STEERING WHEEL	1
1	V3FL419423	STEERING HUB	1
2	V3FL971274	WIRING HARNESS STEERING WHEEL	1
3	V3FL970317	STEERING WHERK SWITCH ASSY	1
4	V3FL419077	STEERING WHEEL HUB E=60MM	1
4 bis	5F6 419 919 B	STEERING WHEEL HUB E=120 MM (2016 spec)	1
5	V0JL951520	COMPLETE SHIFT PADS TIPTRONIC	1
6	V3FL419091	STEERING WHEEL OMP Ø330MM -TARGA-	1
7	VN0001839639	ALLEN CONE BOLT M5X15 DIN7991 PAV. 12.9	6
8	8S6959400	STEERING WHEEL MULTIFUNCTION BOX	1
9	V3FL919837A	DSG BUTTON SUPPORT ASSY.	1
*	8S6422211	SPACER L=20MM	1
*	8S6422211A	SPACER L=40MM	1

* NOT REPRESENTED

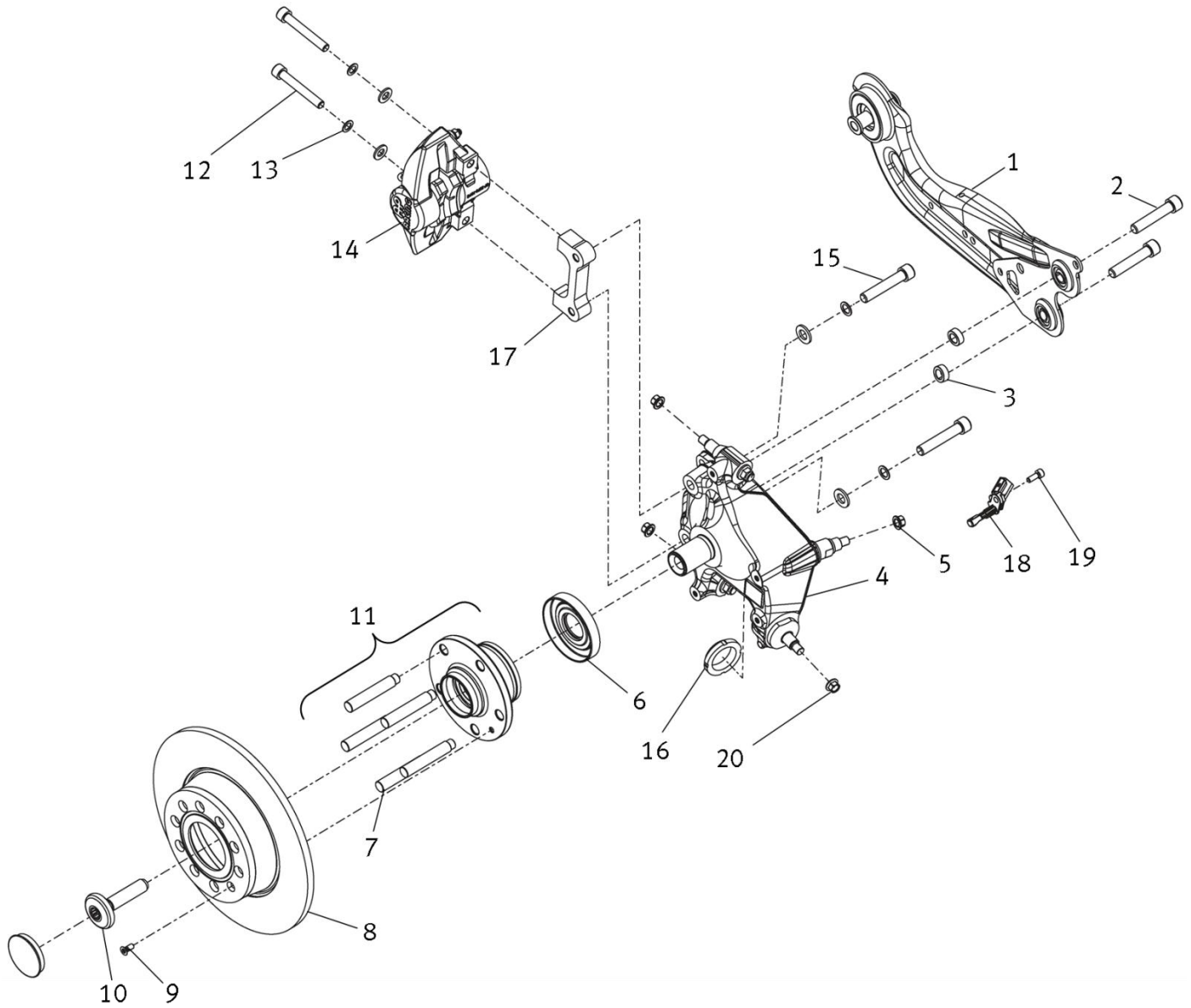
REAR AXLE



REAR AXLE

Part n°	Reference	Description	Qty.
1	_N_10769501	HEXAGON BOLT M12X1,50X80	2
2	_1K0505129L	LEFT BRACKET	1
2 bis	_1K0505130L	RIGHT BRACKET	1
3	_N_90648402	HEXAGON HEAD BOLT (COMBI) M10X35	8
4	V4PL501674	BALL JOINT LEFT MALE D14	2
5	VN0003065837	NUT M14 (TURN LEFT)	2
6	V3FL505338A	CAMBER REGULATION	2
7	V3FL505324	UPPER ARM	2
8	_N_10106402	HEXAGON COLLAR NUT SELF-LOCKING M12X1,5	4
9	V4PL505529	SPACER BALL JOINT	4
10	_N_10552401	BOLT HEXAGONAL M12X75	2
11	V3FL505315	REAR SUBFRAME ASSY. (G)	1
12	VN0001166039	ALLEN BOLT CIL PAV 12.9 M12X65DIN912	4
13	V3FL511407	ANTI ROLL BAR Ø22x3	1
13 bis	V3FL511407A	ANTI ROLL BAR Ø22x4	1
14	_WHT001761	ECCENTRIC BOLT M12X1,5X90	2
15	VN0001157739	ALLEN BOLT M8X50 DIN912 12.9	4
16	VN0003064396	LOCK-NUT ACE 3/8" 24H LEFT DIN936	2
17	VN0001161539	ALLEN BOLT PAV.12.9 M10X40DIN912	4
18	V3FL511453	ANTI ROLL BAR SUPPORT	2
19	V3FL511353	ARB SUPPORT SPACER	4
20	V3FL511456	ANTI ROLL BAR SUPPORT PLATE	4
21	V3FL505531	SPHERICAL BEARING SPACER	4
22	V4PL501673	BALL JOINT MALE D 14	4
23	VN0003221000	AVIATION'S NUT M10	4
24		SEE PAGE 40	
25	V3GL505133	E1 SPACER	4
26	VN0005401012	MALE BALL JOINT Ø12X1,75 RIGHT -TEFLON	2
27	VN0003065837	NUT M14 (TURN LEFT)	4
28	V3GL411318A	CONNECTING ROD	2
29	V3FL505152	SOCKET JOINT M12	4
30	V3FL501529	LOWER-FRONT ARM	2
31	VN0003067300	NUT (TURN LEFT)	2
32	V3FL505353	REAR ARM ASSY.	2
33	VN0005401112	MALE BALL JOINT Ø12X1,75 LEFT -TEFLON-	2
34	VN0003000716	LOW NUT M12 DIN439	2
35	_N_10428001	HEX COLLARED BOLT M12 X 1.5 X 80	2
36	V3FL505529	SPHERICAL BEARING SPACER	4

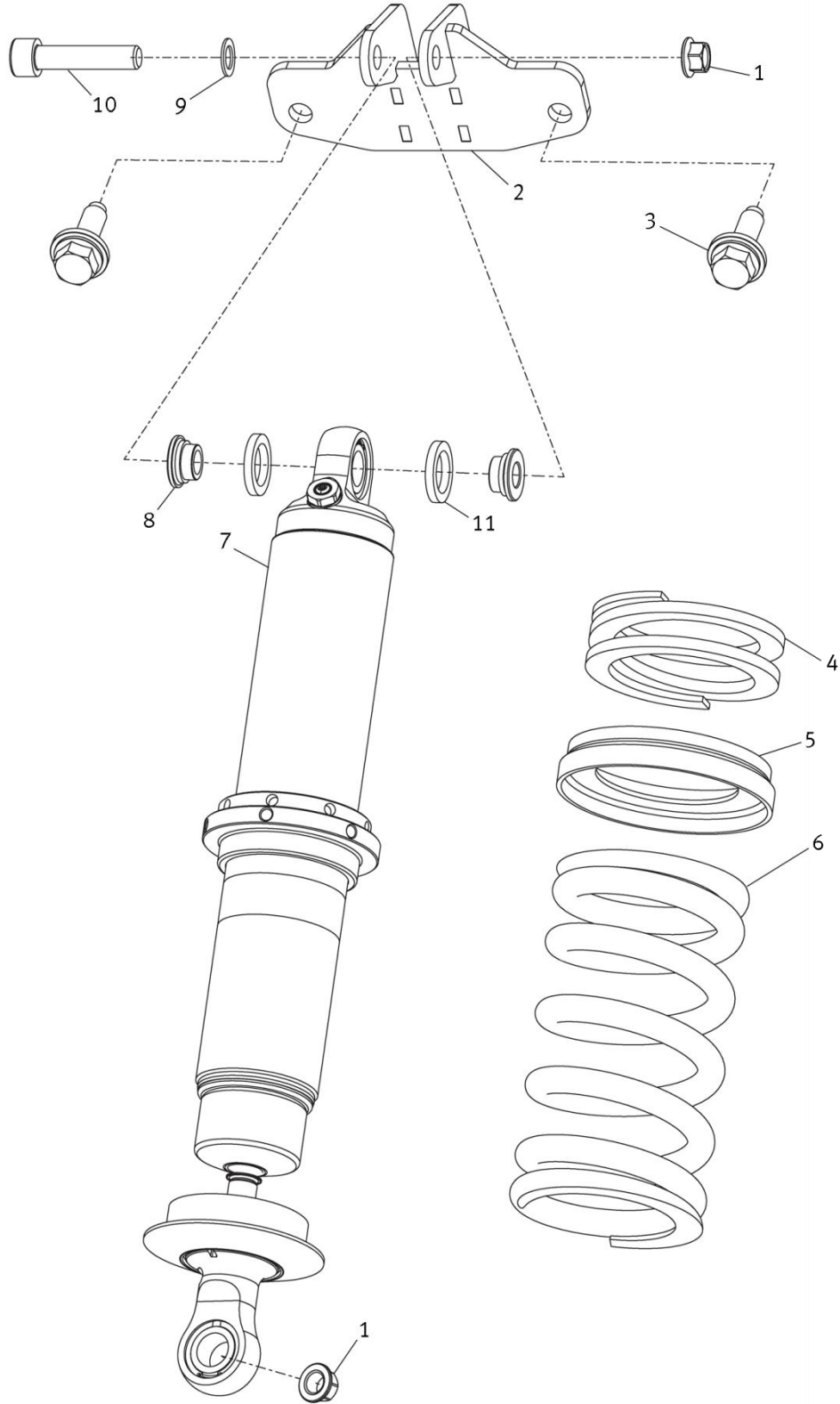
REAR UPRIGHT AND HUB



REAR UPRIGHT AND HUB

Part n°	Reference	Description	Qty.
1	V3FL505221	AXLE GUIDE LEFT	1
1 bis	V3FL505222	AXLE GUIDE RIGHT	1
2	VN0001168139	ALLEN BOLT M12X150X80DIN912-12.9	4
3	V3FL505530B	WHEEL BRACKET SPHERICAL BEARING SPACER	4
4	V3FL505431	REAR WHEEL BRACKET	1
4 bis	V3FL505432	REAR WHEEL BRACKET	1
5	VN0003221000	AVIATION'S NUT M10	2
6	_3C0505491	SPACER RING	2
7	V4PL601137	WHEEL BOLT	10
8		SEE PAGE 48	
9	_N__10648301	HEX. SOCKET COUNTERSUNK BOLT M6X16	2
10	_WHT000229A	TEETH BOLT DRIVESHAFT M16X1.5X70	2
11	V4PL501609	WHEEL HUB ASSEMBLY WITH WHEEL BO	2
12	VN0001162139	ALLEN BOLT M10X70 DIN912 12.9 PAV.	4
13	VN0002341500	COPPER WASHER Ø10X16 DIN7603	4
14		SEE PAGE 48	
15	VN0001162139	ALLEN BOLT M10X70 DIN912 12.9 PAV.	4
16	VN0003226800	KM NUT WITH POLYAMIDE RING M35x1,5	2
17	V3FL615557	REAR BRAKE CALIPER SUPPORT ASSY.	2
18	_WHT003858	WHEEL SPEED SENSOR RIGHT	1
18 bis	_WHT003859	WHEEL SPEED SENSOR LEFT	1
19	_N__01474011	HEXAGONAL HEAD NUT M6X16	1
20	VN0003221200	K-NUT M12	2

REAR SHOCK ABSORBER

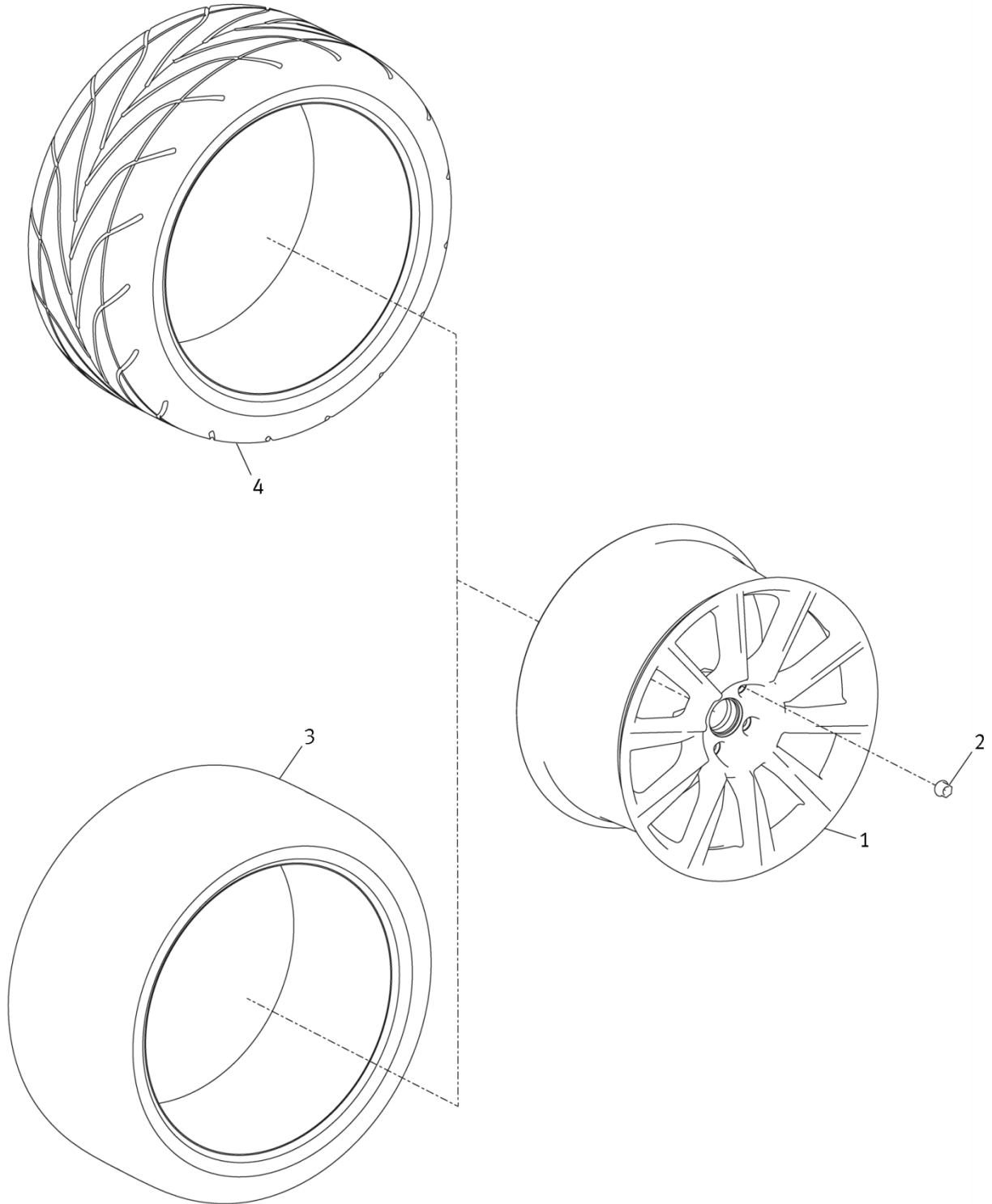


REAR SHOCK ABSORBER

Part n°	Reference	Description	Qty.
1	VN0003221000	AVIATION'S NUT M10	4
2	V3FL513353	SACHS REAR SHOCK ABSORBER FIXATION	2
3	_N_90648402	HEXAGON HEAD BOLT (COMBI) M10X35	4
4	VN0020018100	TENDER SPRING 60-60-002	2
5	V2MT411113C	SPRING SPACER Ø80mm.	2
6*	8S6411105	HELICAL SPING 60-90-170	2
6 bis	8S6411105A	HELICAL SPING 60-100-170	2
6 bis	8S6411105B	HELICAL SPING 60-110-170	2
7	5F6513025	REAR SHOCK ABSORBER	2
8	V3FL505179	SACHS REAR DAMPER UPPER SPACER	4
9	VN0002150700	PRESSED TYPE WASHER Ø10,5X16	2
10	VN0001161639	ALLEN BOLT M10X150X45 DIN912 12,9 PAV.	2
11	V2MT413220	DRAMPER BALL JOINT DUST COVER	4

* SERIAL SPRING

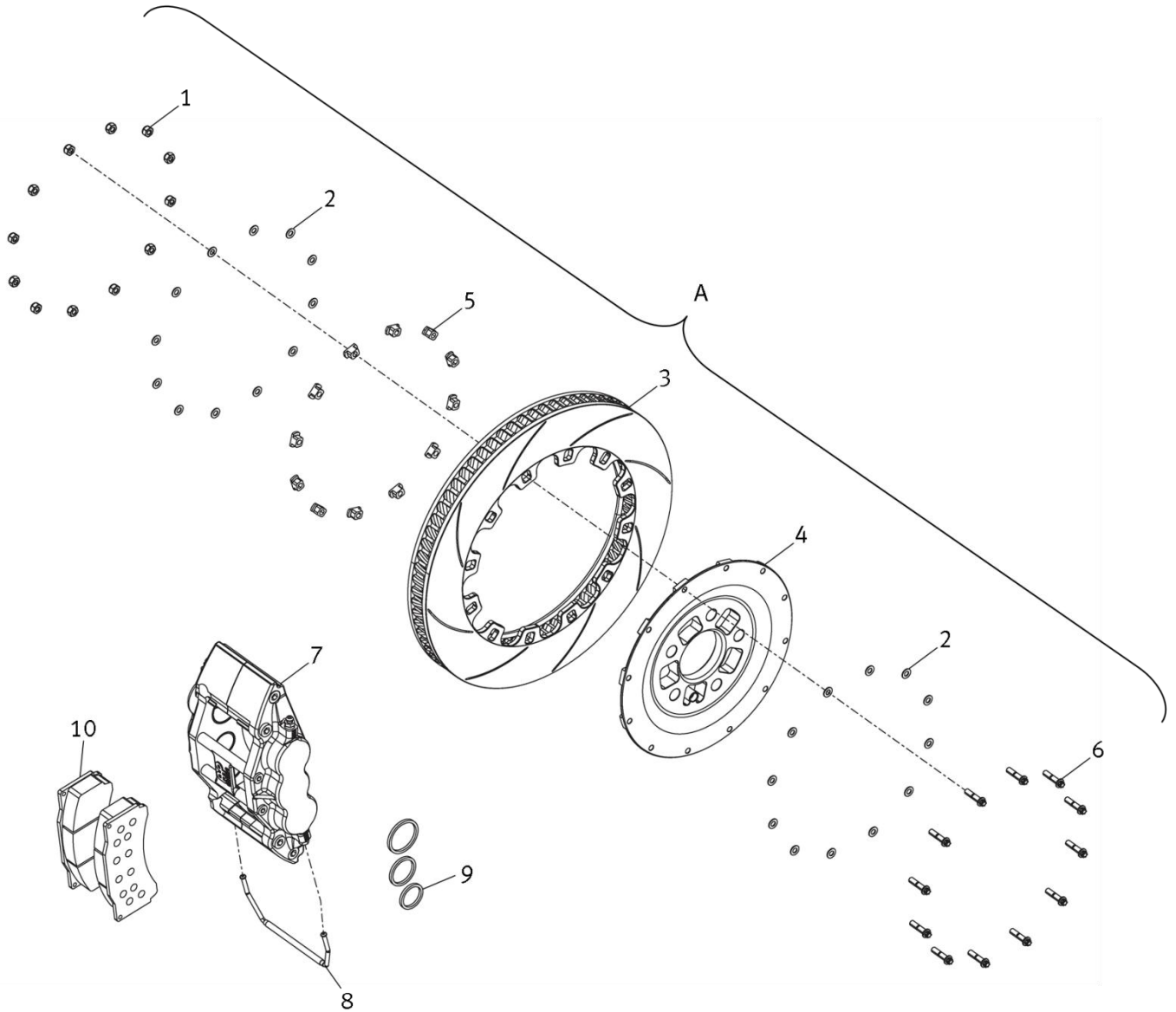
WHEEL & TYRE



**WHEEL & TYRE**

Part n°	Reference	Description	Qty.
1	8S6601025	RIM 18" x 10" ET36	4
2	V131407150	WHEEL NUT M14x1,5	20
3	8S6601307D	HANKOK TIRE 265/660R18 (SLICK)	4
4	8S6601307E	HANKOK TIRE 265/660R18 (WET)	4

FRONT BRAKE

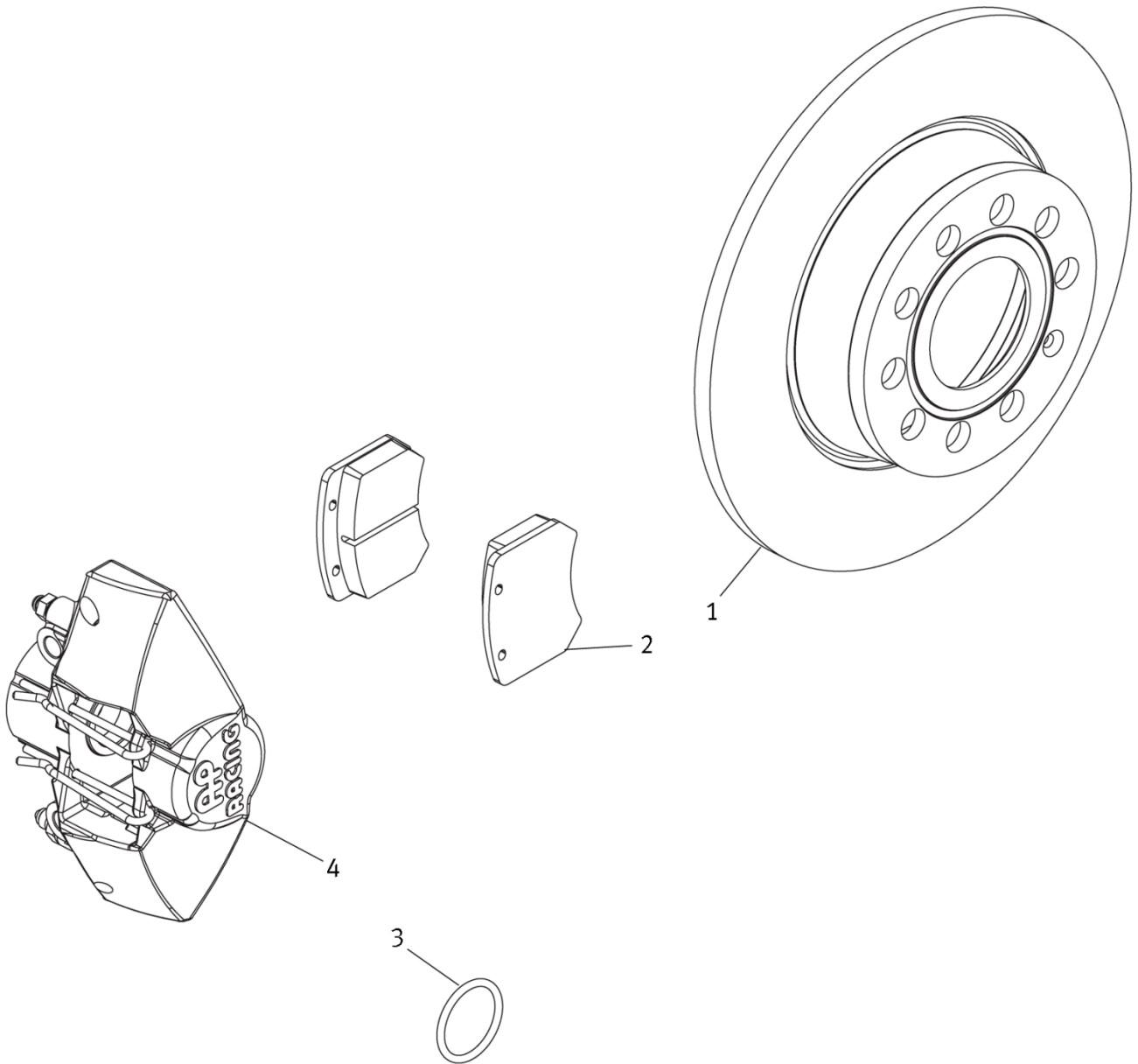


FRONT BRAKE

Part n°	Reference	Description	Qty.
A	8S6615297	COMPLETE LEFT FRONT BRAKE DISC Ø378X34	1
A bis	8S6615298	COMPLETE RIGHT FRONT BRAKE DISC Ø378X34	1
1	V2ML615265	NUT ¼"	24
2	V2ML615455	WASHER ¼"	24
3	8S6615301	FRONT BRAKE DISC	1
3 bis	8S6615302	FRONT BRAKE DISC	1
4	8S6615329	BRAKE HAT	1
5	8S6615267	SLEEVE	24
6	8S6615300	BOLT 4UNF-6 12 L=27MM	24
7	8S6615105	BRAKE CALIPER FRONT LEFT (Z)	1
7 bis	8S6615106	BRAKE CALIPER FRONT RIGHT (Z)	1
8	V3FL615139	FRONT CALLIPER LINKING CONNECTION	2
9	V2ML698471A	BRAKE CALIPER REPAIR KIT	2
10	5F6615115	BRAKE PADS	1
*	V3FL615149	FRONT BRAKE SUPPORT	2
*	V3FL615261	PIN WITH LOCK	4

* NOT REPRESENTED

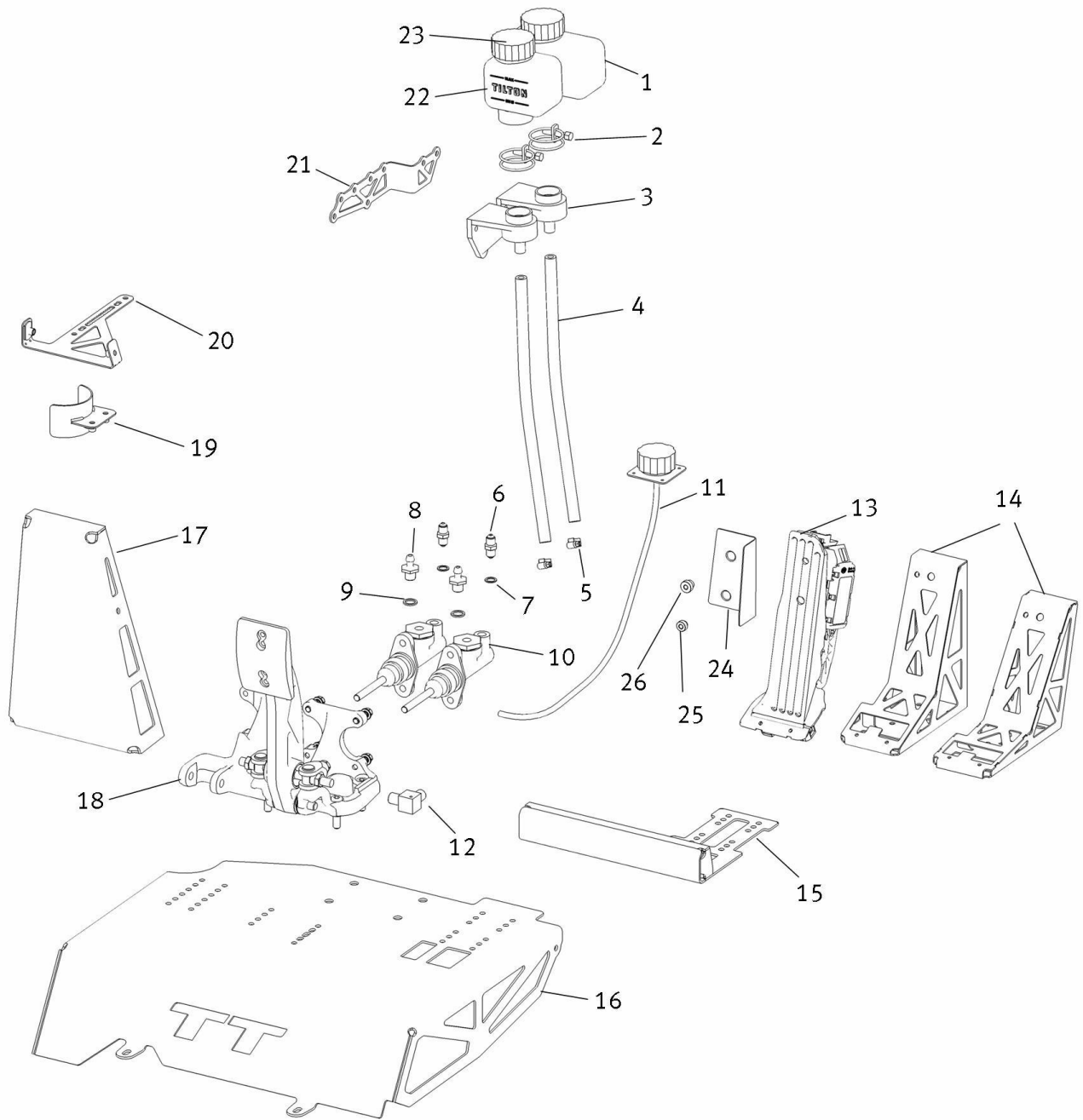
REAR BRAKE



**REAR BRAKE**

Part n°	Reference	Description	Qty.
1	_1K0615601AA	REAR BRAKE DISK 272x10 15"	2
2	5F6615415	BRAKE PADS	1
3	V131614712	BRAKE CALIPER REPAIR KIT	2
4	V2MT615407	AP REAR BRAKE CALIPER	2

PEDALS AND PUMPS

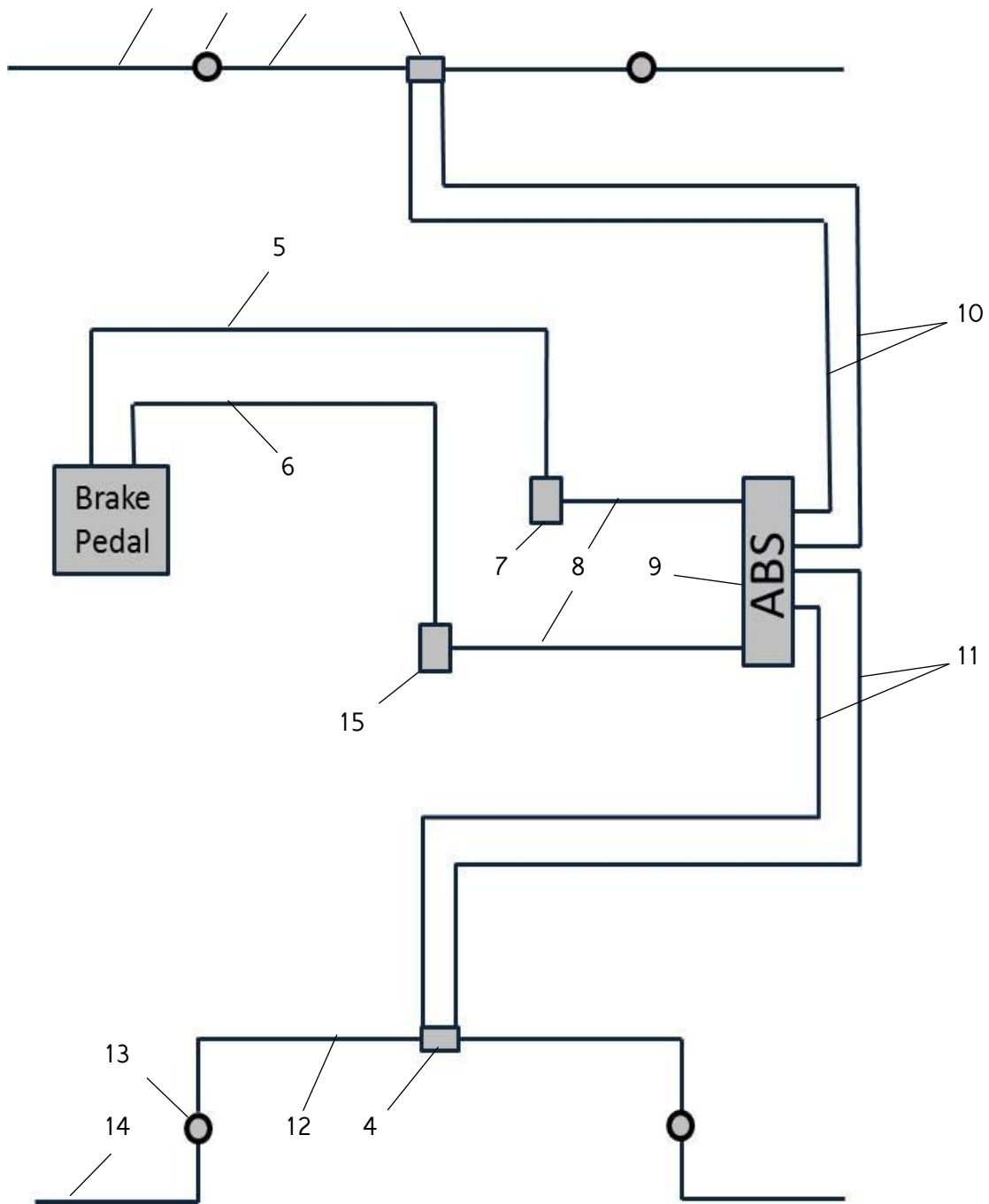


PEDALS AND PUMPS

Part n°	Reference	Description	Qty.
1	V8PS611307A	BRAKE FLUID TANK (BIG)	1
2	V013617004	BRAKE FLUID TANK CAP	2
3	V4PL611319	BRAKE FLUID TANK SUPPORT	2
4	VN0000082570	INTERIOR FLEXIBLE PIPE	2
5	VN0004008200	CLAMP 9X16	2
6	VN0005143500	MALE-MALE ADAPTOR 03D	2
7	VN0002341500	COPPER WASHER Ø10X16X2 MM DIN7603	2
8	V3FL614213	BRAKE PUMP ADAPTER PUSH-ON	2
9	VN0002341600	COPPER WASHER Ø10X16 DIN7603	2
10	V3FL614165C	BRAKE PUMP AP 17.8 MM (PRT100)	1
10 bis	V3FL614165D	BRAKE PUMP AP 19.1 MM (PRT100)	1
10 bis	V3FL614165F	BRAKE PUMP AP 22.2 MM (PRT100)	1
11	V3FL612191	BRAKE REGULATION CABLE	1
12	V3FL721597	BRAKE CABLE ADAPTOR	1
13	5F6721503	THROTTLE PEDAL	1
14	V3FL864780	THROTTLE PEDAL BASE ASSY.	1
14 bis	5F6721532	THROTTLE PEDAL BASE ASSY. (15°)	1
15	V3FL864787A	FOOT STOPPER	1
16	8S6721221A	PEDALBOX SUUPPORT	1
17	8S6864415B	DRIVER RIGHT FOOTREST	1
18	V3FL721060	BRAKE PEDAL ASSEMBLY	1
19	8S6721485	FOOTREST SUPPORT (G)	1
20	8S6721096	SUPPORT (G)	1
21	V3FL616141A	STEEL SUPPORT BRAKE LIQUID TANK	1
22	V4PL611307	BRAKE FLUID TANK (MEDIUM)	1
23	V013617003	BRAKE FLUID TANK CAP	2
24	8S6721193	RIGHT FOOT STOPPER	1
25	8S6721331	STOP	1
26	8S6721331A	STOP	1
*	8S6 611 313	BRAKE FLUID RAVENOL R325+ (1/2 L)	2

* NOT REPRESENTED

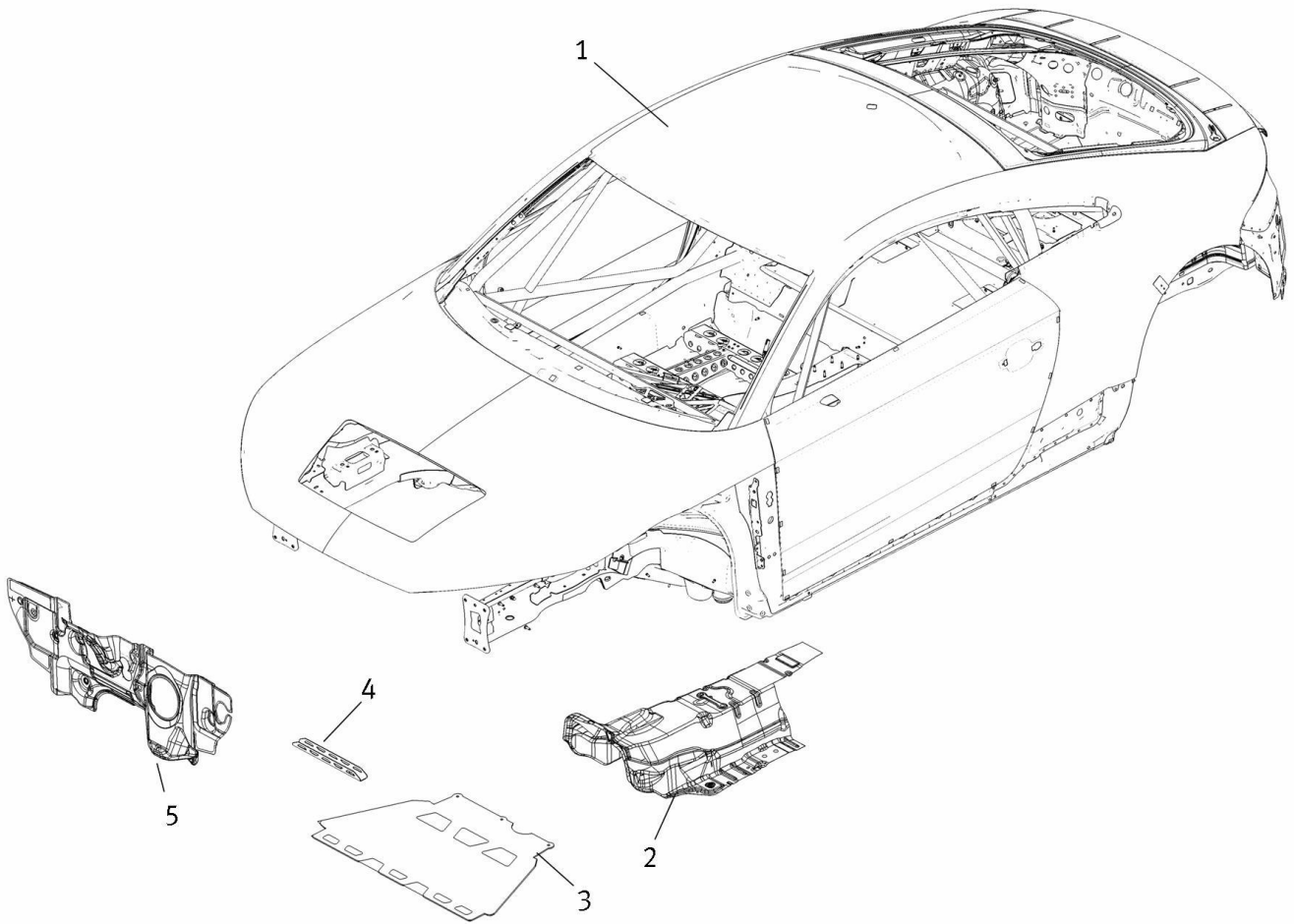
BRAKE CIRCUIT



BRAKE CIRCUIT

Part n°	Reference	Description	Qty.
1	V3FL611701	FRONT BRAKE PIPE TO BRAKE CALIPER	2
2	VN0005143500	MALE-MALE ADAPTOR 03D	2
3	V3FL614723	REAR LEFT BRAKE PIPE	1
3 bis	V3FL614724	REAR RIGHT BRAKE PIPE	1
4	VN0005110400	DISTRIBUTOR	2
5	V8PS611775	SLEEVE FOR BRAKES	3
6	V3FL611707	FRONT OUTPUT BRAKE PUMP PIPE TO "T"	1
7	VN0005110300	DISTRIBUTOR	1
8	8S6611747	BRAKE LINE	2
9		SEE PAGE 80	
10	8S6611745	BRAKE LINE	2
11	8S6611746	BRAKE LINE	2
12	8S6614725	BRAKE LINE	1
12 bis	8S6614726	BRAKE LINE	1
13	VN0005174800	BULKHEAT ALU M10-D3	2
14	V8PS611775	SLEEVE FOR BRAKES	2
15	VN0005185400	DISTRIBUTOR	1

BODY

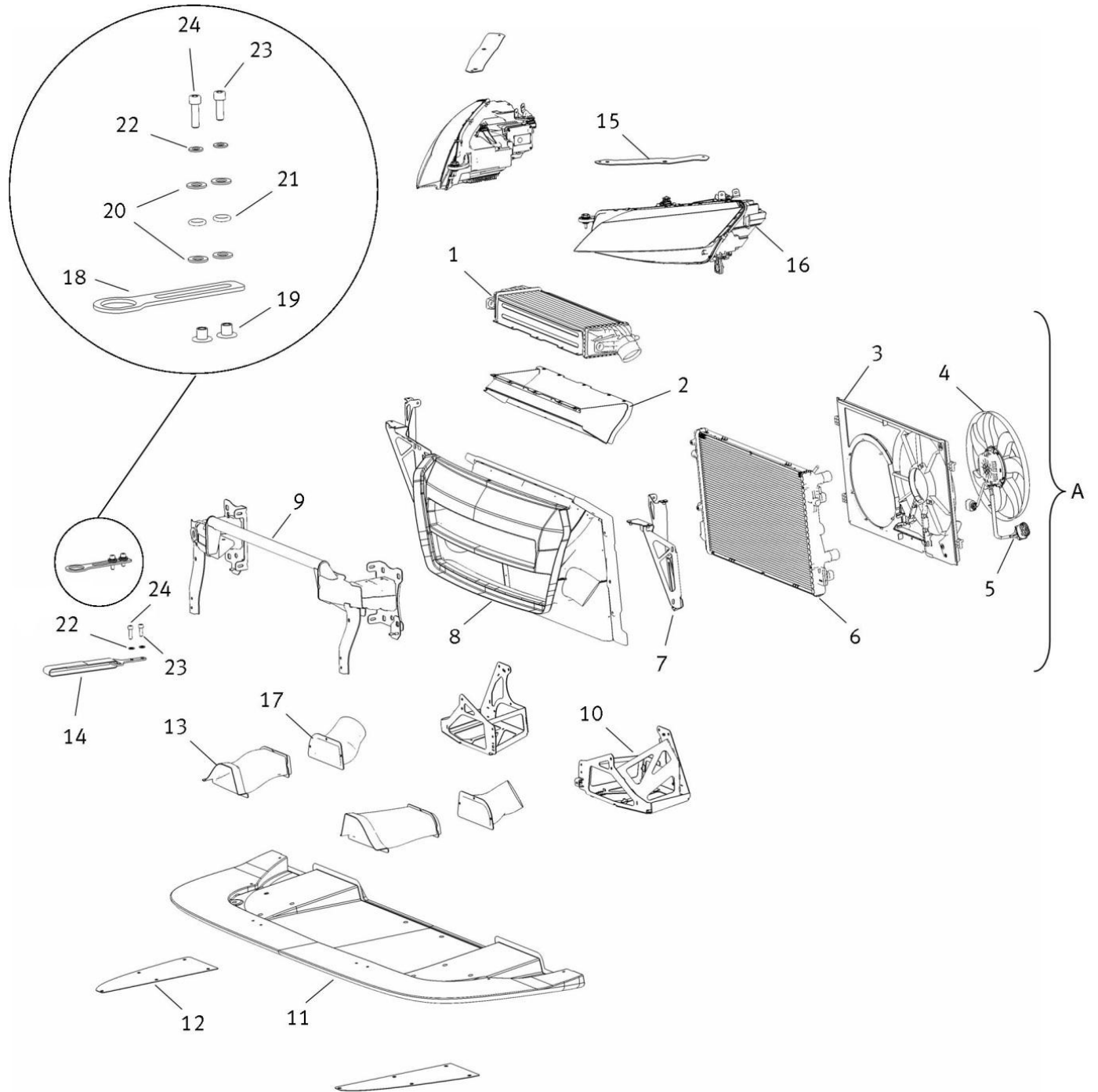


BODY

Part n°	Reference	Description	Qty.
1*	8S6800411	BODY PAINTED	1
1 bis*	8S6800401KTL	BODY KTL (ROLLBAR & DOORS)	1
2	V3FL825661	HEAT SHIELD FOR TUNNEL	1
3	8S6825237	OIL SUMP PROTECTION	1
4	V3FL825291B	OIL SUMP PROTECTION SUPPORT	1
5	_5Q1863353B	PROTECTION FOR TRANSVERSE WALL	1

* Sold only under old part returned to Audi Sport

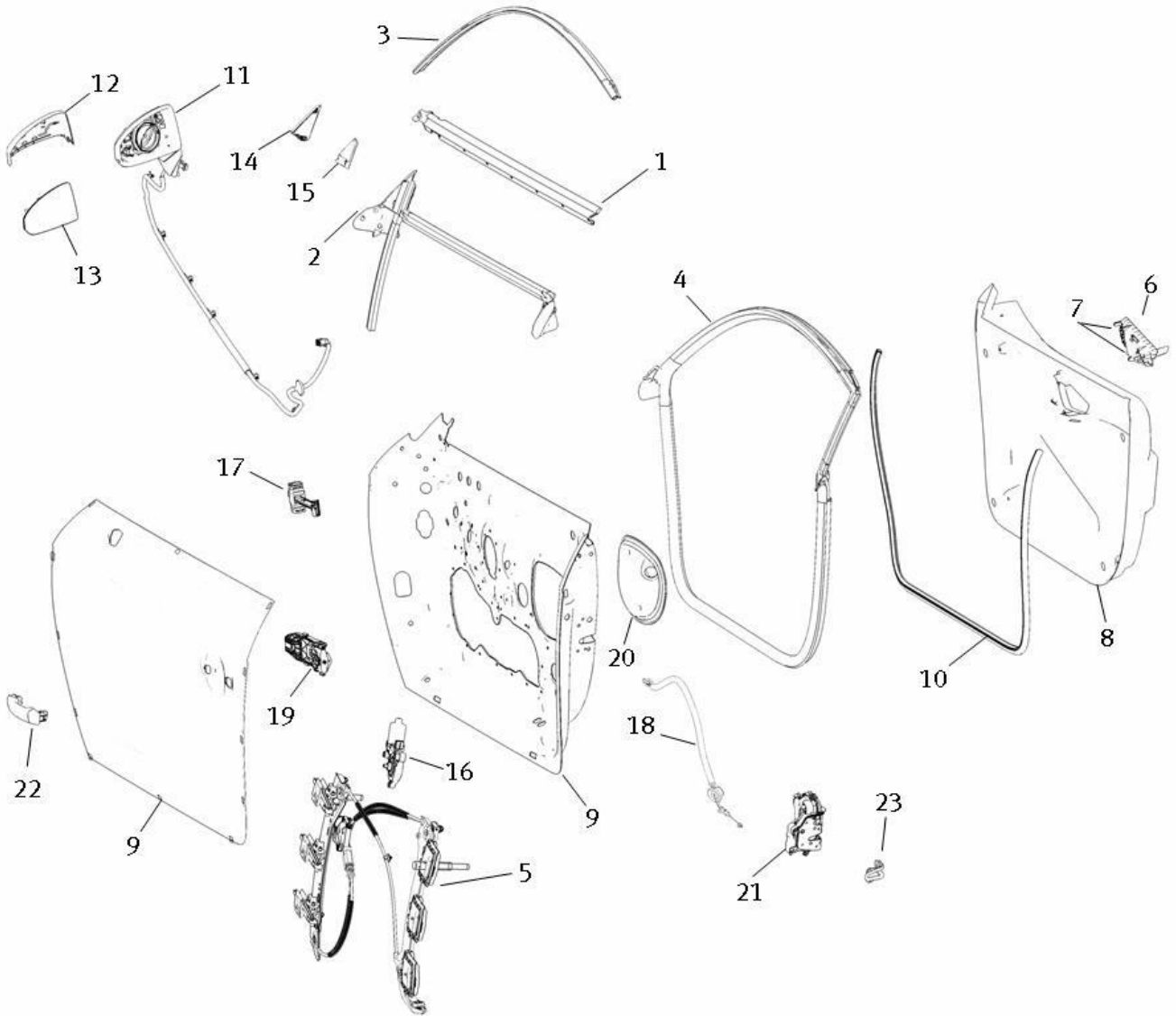
FRONTEND



FRONTEND

Part n°	Reference	Description	Qty.
A*	8S6800723	COMPLETE FRONTEND	1
1		SEE PAGE 12	
2	V3FL805843	INTERCOOLER AIR DUCT	1
3	5F6121207	FAN RING	1
4	_1K0959455FP	RADIATOR FAN Ø360MM 300W	1
5	V3FL971119	DUMMY CONNECTOR (2nd FAN)	1
6	_6R0121253H	WATER RADIATOR	1
7	8S6805323A	BRACKET (G)	1
7 bis	8S6805324A	BRACKET (G)	1
8	8S6805594	AIR DUCT ASSEMBLY FRONT CND	1
9	8S6807108A	FRONT CRASH BAR (G)	1
10	8S6807201B	SPLITTER SUPPORT (G)	1
10 bis	8S6807202B	SPLITTER SUPPORT (G)	1
11	8S6807061	SPLITTER	1
12	V3FL807197A	LOWER SPLITTER PROTECTION	1
12 bis	V3FL807198A	LOWER SPLITTER PROTECTION	1
13	8S6615159A	AIR DUCT ELEMENT (G)	1
13 bis	8S6615160A	AIR DUCT ELEMENT (G)	1
14	8S6803611	FRONT TOWING EYE WITH FABRIC STRAP (Z)	1
15	8S6805605	BRACKET	1
15 bis	8S6805606	BRACKET	1
16	_8S0941033	HEADLIGHT LED	1
16 bis	_8S0941034	HEADLIGHT LED	1
17	8S6615163	AIR DUCT ELEMENT (G)	1
17 bis	8S6615164	AIR DUCT ELEMENT (G)	1
18	8S6803615A	FRONT TOWING EYE (OPTION)	1
19	8S6805621	CONNECTION PART (OPTION)	2
20	VN0002001220	WASHER (OPTION)	4
21	VN0002520700	O-RING (OPTION)	2
22	VN0002001020	WASHER	2
23	VN0001161416	ALLEN BOLT 8.8 M10X35 DIN912	1
24	VN0001161316	ALLEN BOLT 8.8 M10X30 DIN912	1
25**	8S6 121 253	ADD-ON WATER-RADIATOR	1
26**	8S6 122 051	HOSE FOR ADD-ON RADIATOR	1
27**	8S6 122 058	HOSE FOR ADD-ON RADIATOR	1
28**	8S6 121 261	BRACKET FOR ADD-ON RADIATOR	2
**	VN0001819439	ALLEN BOLT PAV.12.9 M6X16 DIN7991 (FOR LOWER SPLITTER PROTECTION)	6
**	VN0001819539	ALLEN BOLT PAV.12.9 M6X20 DIN7991 (FOR LOWER SPLITTER PROTECTION)	4

FRONT DOORS



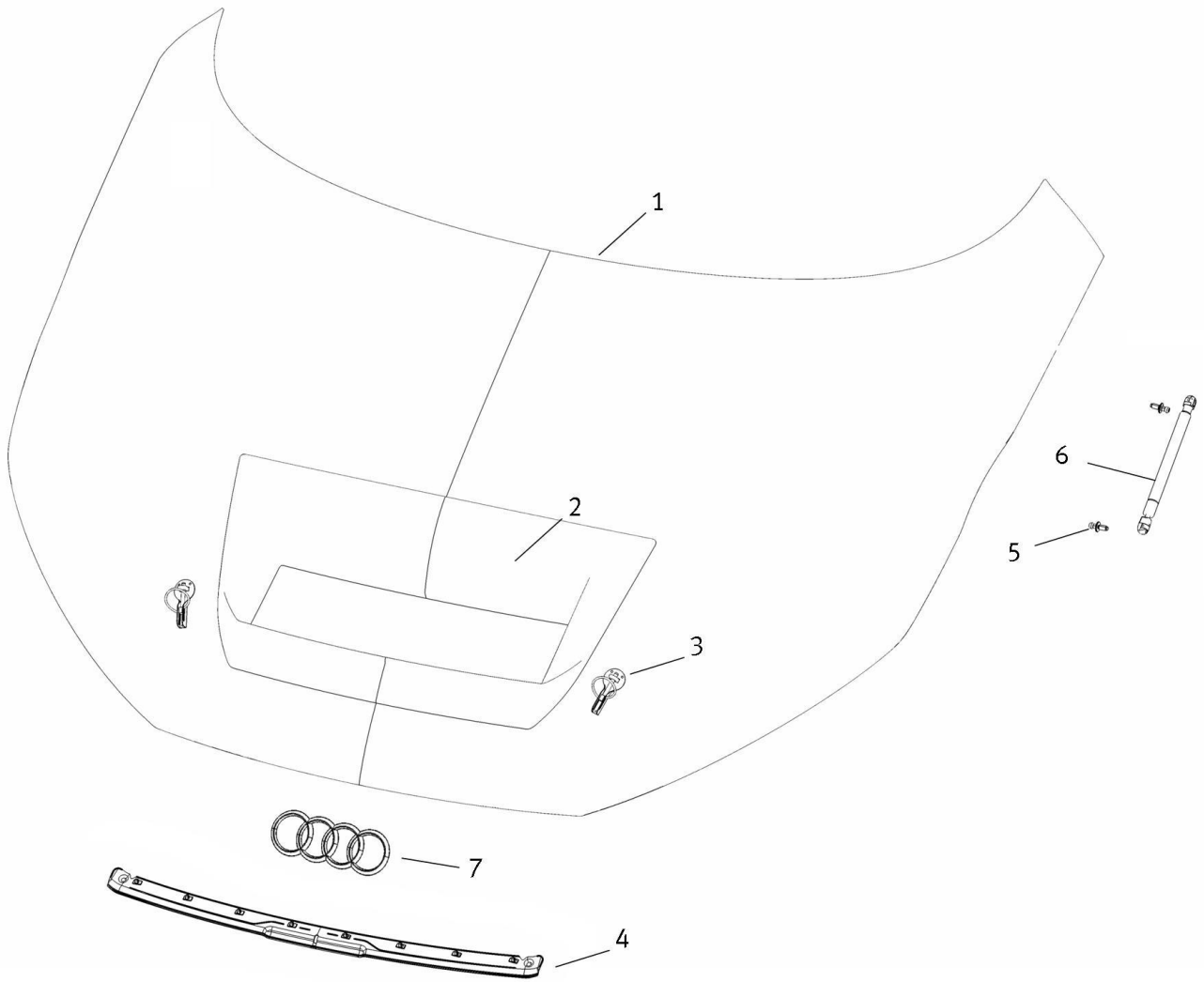
FRONT DOORS

Part n°	Reference	Description	Qty.
1	_8S0837477A	SEALING	1
1 bis	_8S0837478A	SEALING	1
2	_8S0837479A	SEALING	1
2 bis	_8S0837480A	SEALING	1
3	_8S88537031P9	ROOF TRIM SEALING	1
3 bis	_8S88537041P9	ROOF TRIM SEALING	1
4	_8S8831707	DOOR SEAL	1
4 bis	_8S8831708	DOOR SEAL	1
5	_8S0837461	WINDOW REGULATOR WITHOUT ENGINE	1
6	_8S0837019A4PK	INNER ACTUATOR	1
6 bis	_8S0837020A4PK	INNER ACTUATOR	1
7	_N__10415903	OVAL HEXAGON SOCKET HEAD BOLT 4X12	2
8	8S6867103	DOOR TRIM PANEL	1
8 bis	8S6867104	DOOR TRIM PANEL	1
9	8S6831051	FRONT DOOR	1
9 bis	8S6831052	FRONT DOOR	1
10	_8S0837911A	DOOR SEAL	2
11	_8S18574099B9	EXTERIOR MIRROR MOUNTING	1
11 bis	_8S18574109B9	EXTERIOR MIRROR MOUNTING	1
12	_8S0857527X7W	MIRROR HOUSING	1
12 bis	_8S0857528X7W	MIRROR HOUSING	1
13	_8S0857535A	MIRROR GLASS WITH CARRIER PLATE	1
13 bis	_8S0857536A	MIRROR GLASS WITH CARRIER PLATE	1
14	_8S0837637A	TRIANGULAR TRIM	1
14 bis	_8S0837638A	TRIANGULAR TRIM	1
15	_8S0867367	DOOR SEAL, INNER	1
15 bis	_8S0867368	DOOR SEAL, INNER	1
16	_5Q0959801B	LEFT WINDOW REGULATOR MOTOR	1
16 bis	_5Q0959802B	RIGHT WINDOW REGULATOR MOTOR	1
17	_8S0837249	DOOR LOCK ARRESTER	2
18	_5N0837017D	DOOR LOCK BOWDEN CABLE	2
18 bis	_8S0837085A	BOWDEN CABLE	2
19	_8S0839885	MOUNTING BACKET	2
20	_8S0837915	COVER	1
20 bis	_8S0837916	COVER	1
21	_8X1837015C	DOOR LOCK	1
21 bis	_8X1837016C	DOOR LOCK	1
22	8S6800345X7W	DOORS HANDLES	1
22 bis	8S6837167X7W	HOUSING	1
23		UNDERLAY DOOR LOCK	2



24	_8S0837103	INNER COVER (LEFT)	1
24 bis	_8S0837104	INNER COVER (RIGHT)	1
25	8S6837103	PLATE FOR INNER COVER	2
26	_N91225901	BOLT M5x13	26
27	_N90434903	NUT M5	6
28	8S6867197	SIDE-IMPACT PROTECTION PLATE (LEFT)	1
29	8S6867129	SIDE-IMPACT PROTECTION FOAM (LEFT)	1
29 bis	8S6867130	SIDE-IMPACT PROTECTION FOAM (RIGHT)	1

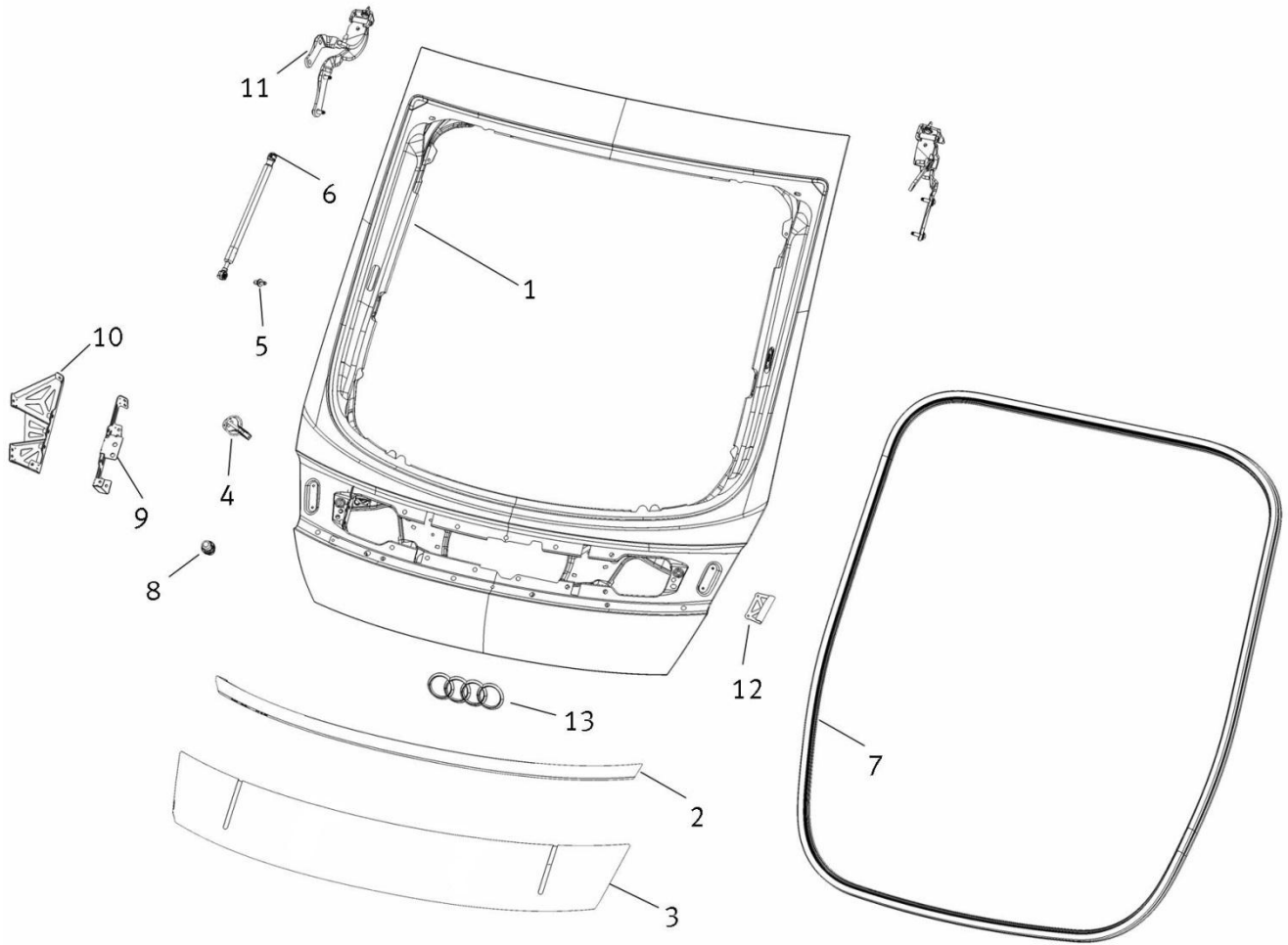
BONNET



**BONNET**

Part n°	Reference	Description	Qty.
1	8S6823029	BONNET	1
2	8S6805941	AIR DUCT ELEMENT (G)	1
3	V2LL823025A	BONNET SECURITY LOCK	1
4	_8S0823125	BONNET PROTECTION	1
5	_8J8827439	BALL PIN	2
6	_8S0823359	GAS FILLED STRUT	2
7	_8V08537422ZZ	EMBLEM	1

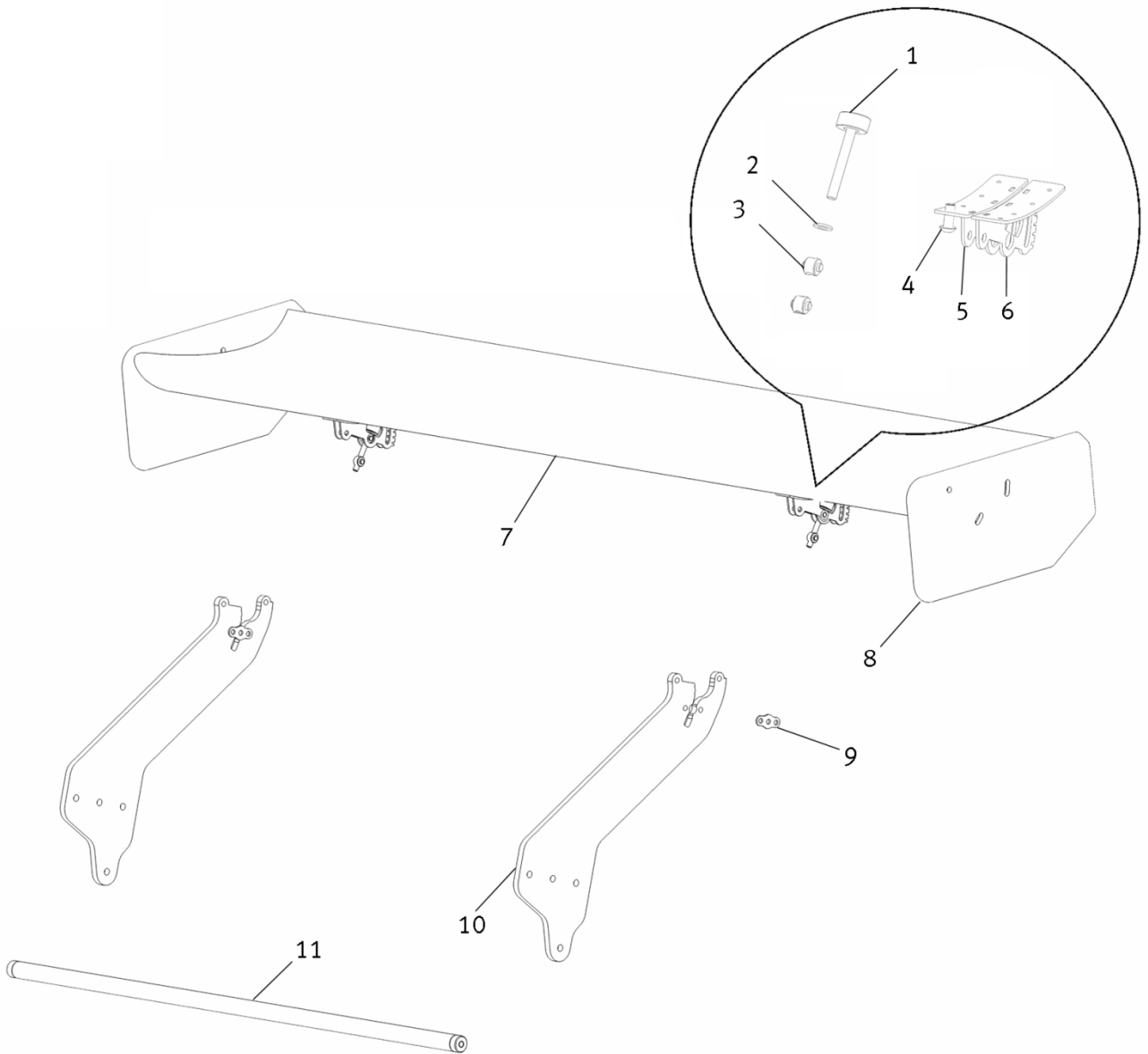
REAR BONNET



REAR BONNET

Part n°	Reference	Description	Qty.
1	8S6827025	REAR BONNET	1
2	_8S0945097	ADDITIONAL BRAKE LIGHT	1
3	8S6827934	REAR SPOILER	1
4	V2LL823025A	BONNET SECURITY LOCK	1
5	_8J8827439	BALL PIN	2
6	_8S8827552A	GAS SPRING	2
7	_8S8827705	COVER SEAL	1
8	_8X0827499	STOPPER	2
9	8S6827457	RETAINING PART (G)	1
9 bis	8S6827458	RETAINING PART (G)	1
10	8S6827795	BRACKET (G)	1
10 bis	8S6827796	BRACKET (G)	1
11	_8S8827299A	TRUNK LID HINGE	1
11 bis	_8S8827300A	TRUNK LID HINGE	1
12	8S6827943	REINFORCEMENT REAR SPOILER	1
12 bis	8S6827944	REINFORCEMENT REAR SPOILER	1
13	_8S08537422ZZ	EMBLEM	1

REAR WING

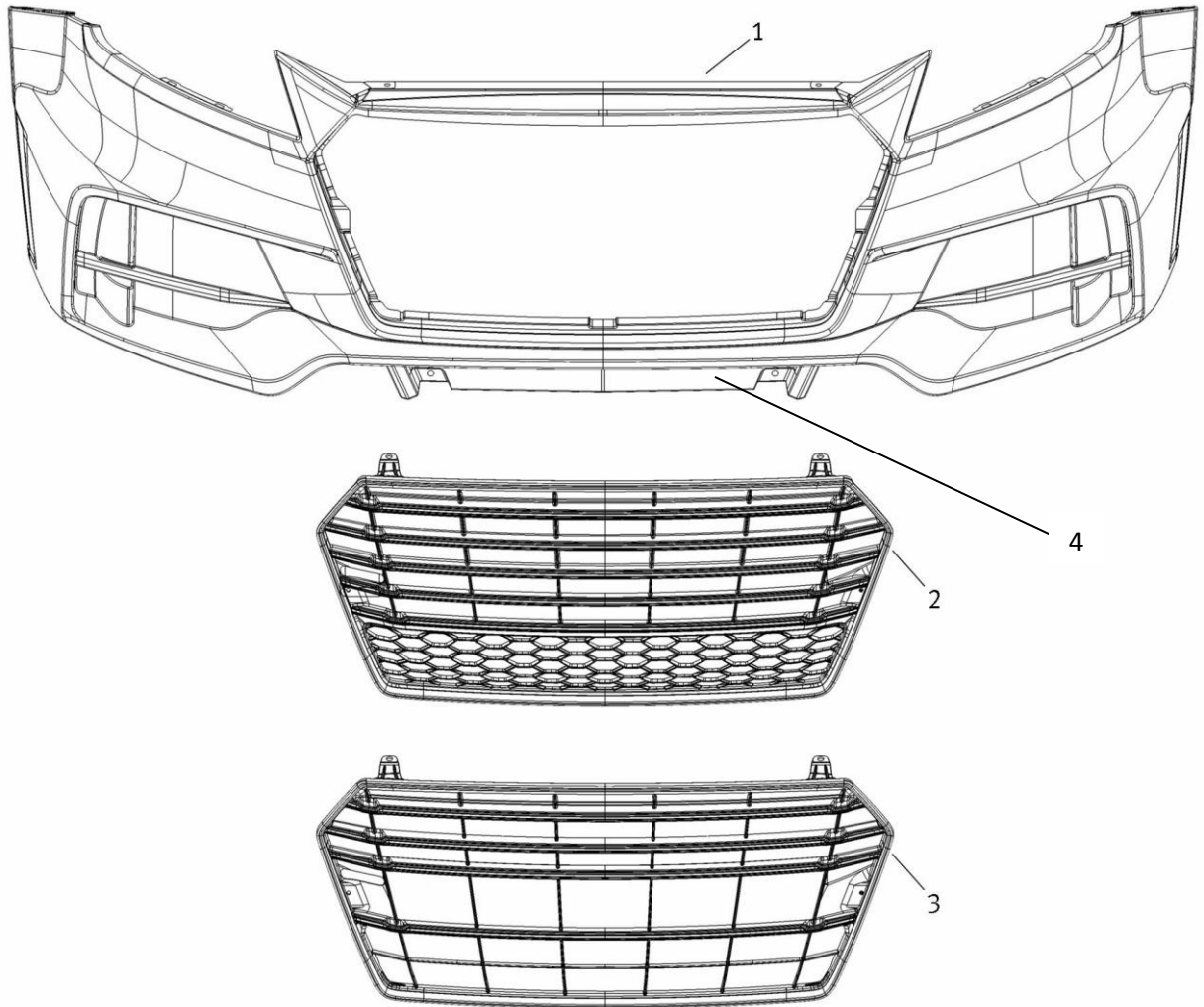


REAR WING

Part n°	Reference	Description	Qty.
1	V3FL827967	REAR WING REGULATION BOLT ASSY.	2
2	VN0002000710	FLAT WASHER ZN Ø6 DIN125	2
3	8S6827984	MOUNTABLE PART	2
4	VN0001903518	BOLT	16
5	8S6827979A	LEFT SUPPORT	2
6	8S6827979A	RIGHT SUPPORT	2
7*	8S6827936A	REAR SPOILER	1
9	8S6827470	CARRIER	4
8	8S6827867A	STOP PLATE	2
10	8S6827757A	SUPPORTING PLATE	2
11	8S6827141	REINFORCEMENT (G)	1

* INCLUDES REFERENCE N° 8

FRONT BUMPER

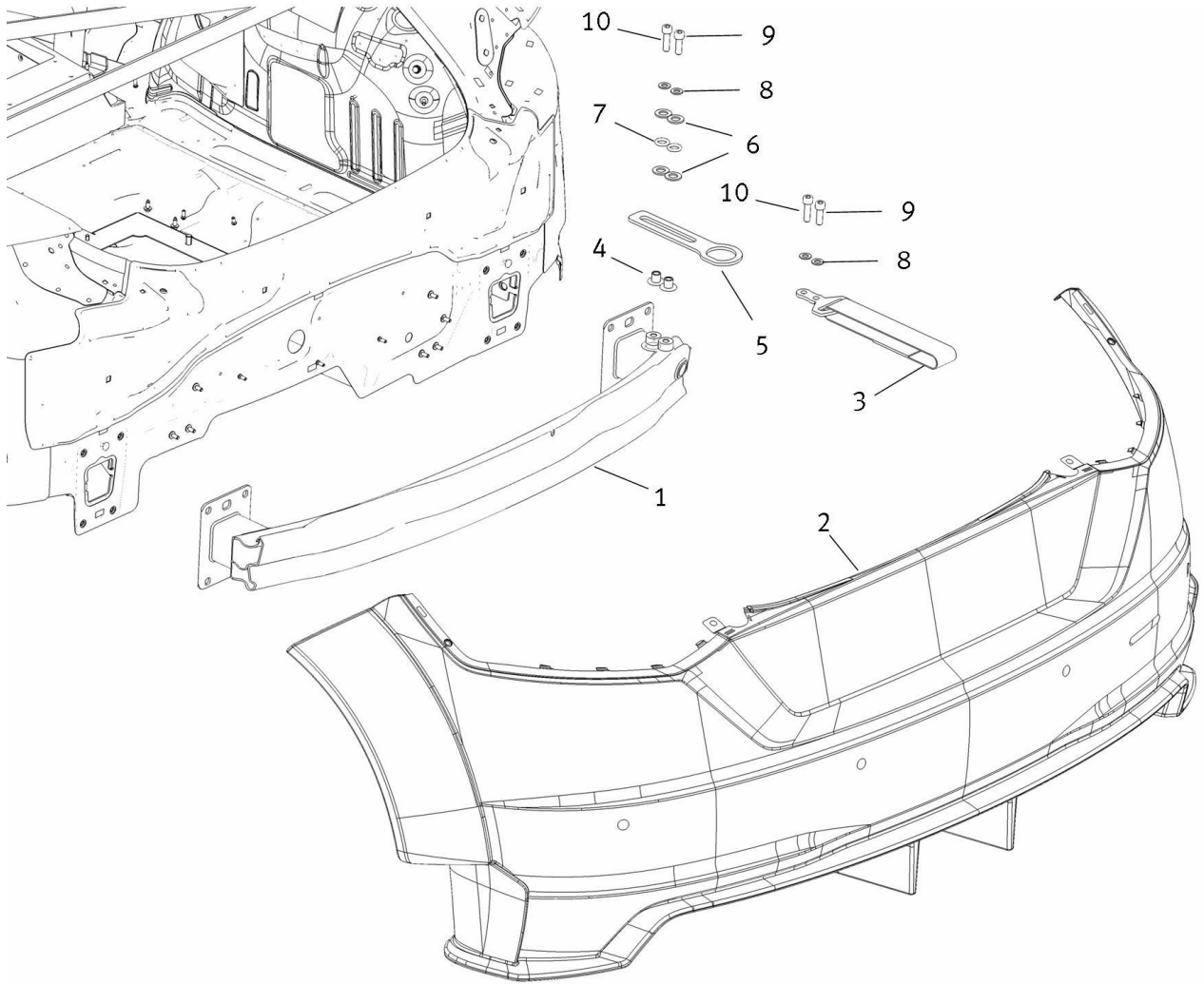


FRONT BUMPER

Part n°	Reference	Description	Qty.
1	8S6807237A X7W	BUMPER COVER (Z)	1
1 bis	8S6807237B X7W	BUMPER COVER (Z) with cutout for add-on radiator	1
2	8S6853651A	RADIATOR GRILLE	1
3	8S6853651B	RADIATOR GRILLE (OPTION)	1
4	8S6853653C	RADIATOR MESH 10x10 (FOR ADD-ON RADIATOR)	1
*	VN0008154700	CAMLOC RECEPTACLE	2
*	V03862612B	PATTERN FOR FRONTBUMPER CUT-OUT (FOR ADD-ON RADIATOR)	1
*	VN0081551600	RADIATOR GRILLE PINS CAMLOC 1/4 TURN #6	2
*	8S6853653	RADIATOR MESH 6x6	1
*	8S6853653A	RADIATOR MESH 10x10 (OPTION)	1
*	8S6853653B	RADIATOR MESH 10x10 (OPTION) mounted to frontbumper	1

* NOT REPRESENTED

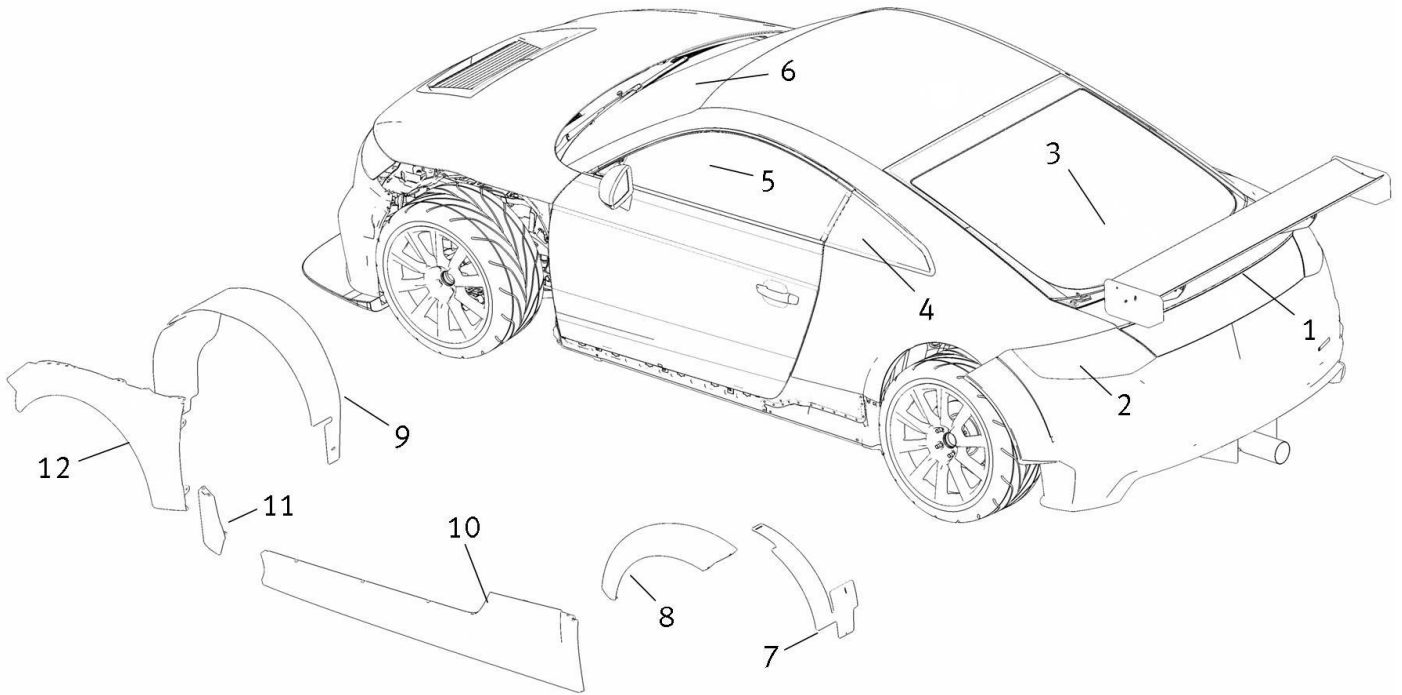
REAR BUMPER



**REAR BUMPER**

Part n°	Reference	Description	Qty.
1	8S6807309	REAR BUMPER BAR (G)	1
2	8S6807511AX7W	REAR BUMPER	1
3	8S6805612	REAR TOWING EYE WITH FABRIC STRAP (Z)	1
4	8S6805621	CONNECTION PART (OPTION)	2
5	8S6805615	REAR TOWING EYE (OPTION)	1
6	VN0002001220	WASHER (OPTION)	4
7	VN0002520700	O-RING (OPTION)	2
8	VN0002001020	WASHER	2
9	VN0001161316	ALLEN BOLT 8.8 M10X30 DIN912	1
10	VN0001161416	ALLEN BOLT 8.8 M10X35 DIN912	1

BODY FINISHING

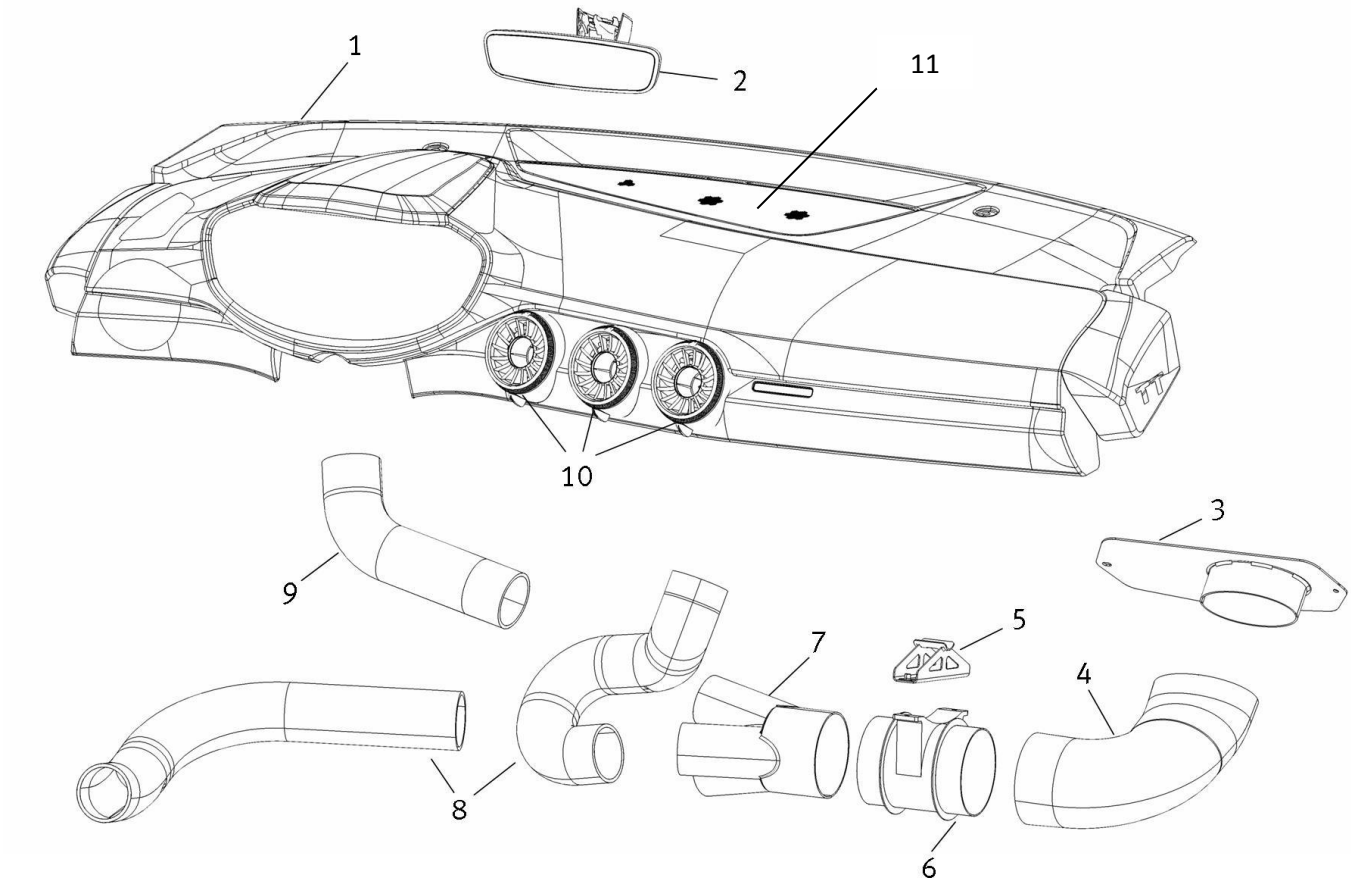


BODY FINISHING

Part n°	Reference	Description	Qty.
1		SEE PAGE 62	
2	_8S0945095A	TAIL LIGHT	1
2 bis	_8S0945096A	TAIL LIGHT	1
3	8S6845501	REAR VIEW GLASS	1
4	8S6845299	LEFT SIDE WINDOW (WITH SEAL)	1
4 bis	8S6845042A	RIGHT SIDE WINDOW (WITHOUT SEAL)	1
5	8S6845201	FRONT DOOR WINDOW	1
5 bis	8S6845202	FRONT DOOR WINDOW	1
6	_8S8845099J	WINDSHIELD	1
7	8S6810171	WHEEL HOUSING	2
8	8S6853817AX7W	LEFT WHEEL TRIM	1
8 bis	8S6853818AX7W	RIGHT WHEEL TRIM	1
9	8S6821171	WHEEL HOUSING	2
10	8S6853553X7W	LEFT SILL LINING (G)	1
10 bis	8S6853554X7W	RIGHT SILL LINING (G)	1
11	8S6821105X7W	LEFT FENDER FR	1
11 bis	8S6821106X7W	RIGHT FENDER FR	1
12	8S6821103X7W	FRONT WING (LEFT FRONT)	1
12 bis	8S6821104X7W	FRONT WING (RIGHT FRONT)	1
*	8S6845322	SEAL WINDOW SIDE (RIGHT)	1
*	8S6821167	BRACKET (LEFT FRONT WHEEL HOUSING)	
*	8S6821168	BRACKET (RIGHT FRONT WHEEL HOUSING)	

* NOT REPRESENTED

COCKPIT

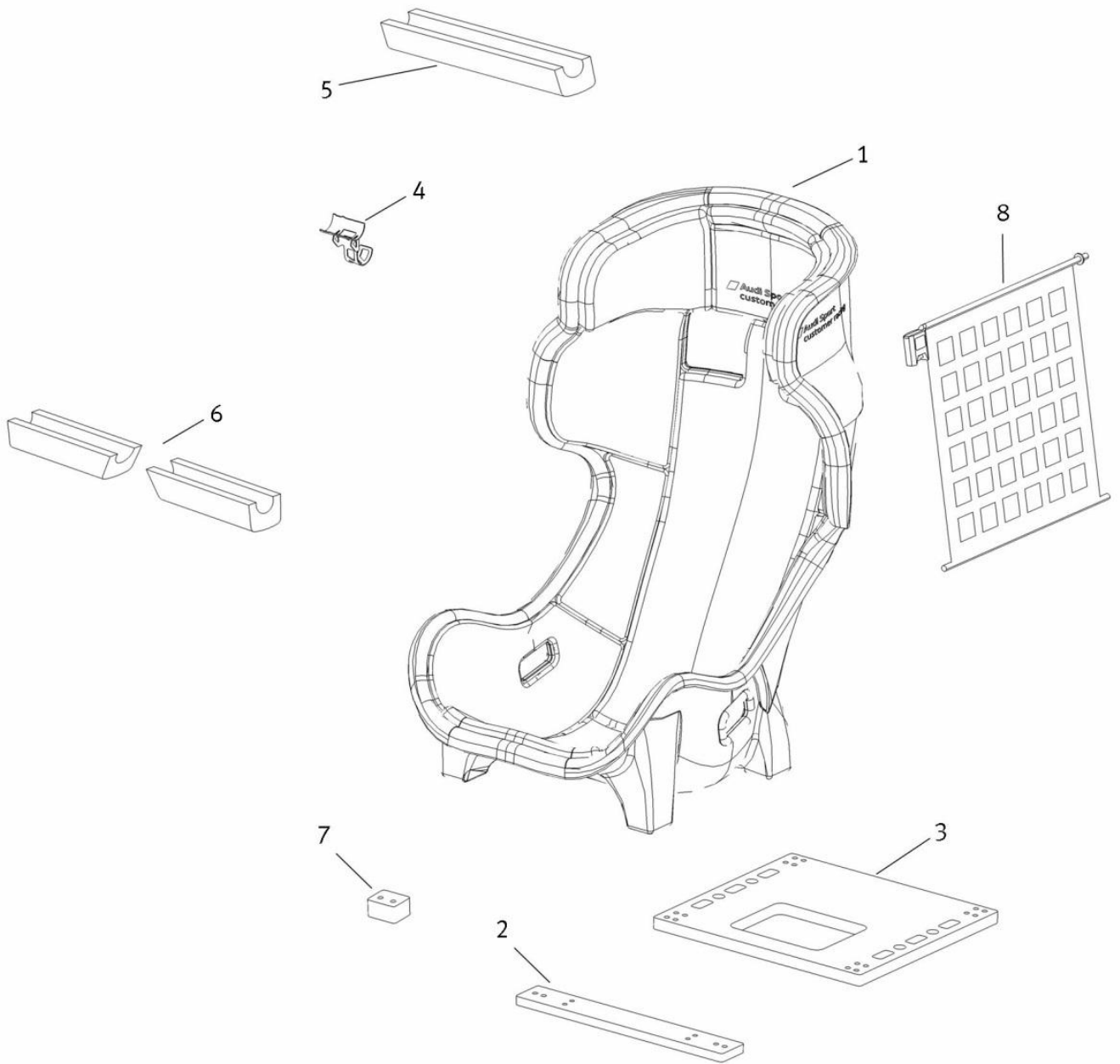


COCKPIT

Part n°	Reference	Description	Qty.
1	8S6857001	DASHBOARD (Z)	1
2	_8S08575114PK	REAR VIEW MIRROR	1
3	V3FL815480A	INTAKE	1
4	8S6819655	AIR DUCT ELEMENT L=350 Ø102	1
5	V3FL819054	FAN SUPPORT	1
6	V3FL959110	VENTILATOR WIRING LOOM ASSEMBLY	1
7	V3FL815580	AIR DISTRIBUTOR PIPE	1
8	8S6819655C	AIR DUCT ELEMENT L=380 Ø60	2
9	8S6819655B	AIR DUCT ELEMENT L=250 Ø60	1
10	_8S1820901SXI	AIR VENT	3
11	8S6819635	AIR DUCT WINDSCREEN VENTILATION	1

* NOT REPRESENTED

BACKET & SAFETY BELTS

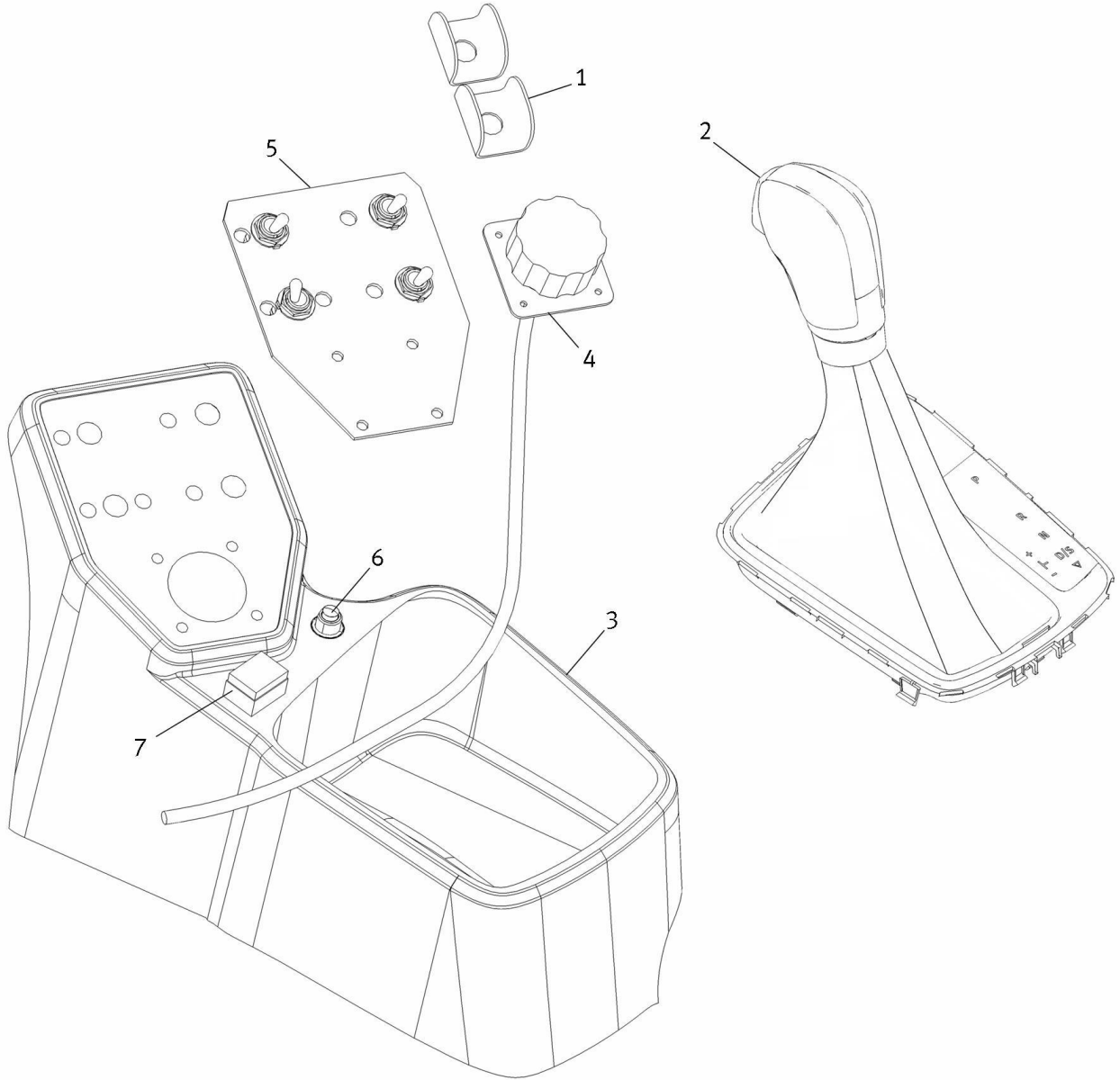


BACKET & SAFETY BELTS

Part n°	Reference	Description	Qty.
1	42A881023E	BACKET DRIVER SEAT	1
1 bis	42A881023D	BACKET -S SIZE-	1
2	8S6861721	BALLAST WEIGHT -1KG-	1
2 bis	8S6861721A	BALLAST WEIGHT -3KG-	1
3	8S6861721B	BALLAST WEIGHT -5KG-	1
3 bis	8S6861721C	BALLAST WEIGHT -10KG-	1
3 bis	8S6861721D	BALLAST WEIGHT -20KG-	1
4	8S6419571A	STEERING WHEEL MOVILE SUPPORT	1
5	8S6867963A	CRASH PADDING	1
6	8S6867963	CRASH PADDING	1
7	8S6881494	BACKET SPACER 30mm	4
7 bis	8S6881494A	BACKET SPACER 60mm	4
7 bis	8S6881494B	BACKET SPACER 80mm	4
8	42A861867	SECURITY WINDOW NET	1
*	42A57705D	SAFETY BELT	1
*	8S6867963B	CO-DRIVER FLOOR PROTECTION 400mm	1
*	8S6867963C	CO-DRIVER FLOOR PROTECTION 200mm	1

* NOT REPRESENTED

PILOT BOX



PILOT BOX

Part n°	Reference	Description	Qty.
1	V2MT906274	SWITCH PROTECTOR (RED)	1
1 bis	V2MT906274A	SWITCH PROTECTOR (YELLOW)	1
2	8S6713203	GEAR SHIFT COVER	1
3	8S6857931	CENTER CONSOLE	1
4		SEE PAGE 50	
5	V3FL971645	CONTROL CONSOLE	1
6	8S6972265	ABS RESET BUTTON	1
7	8S6971563A	EXTINGUISHER BUTTON	1

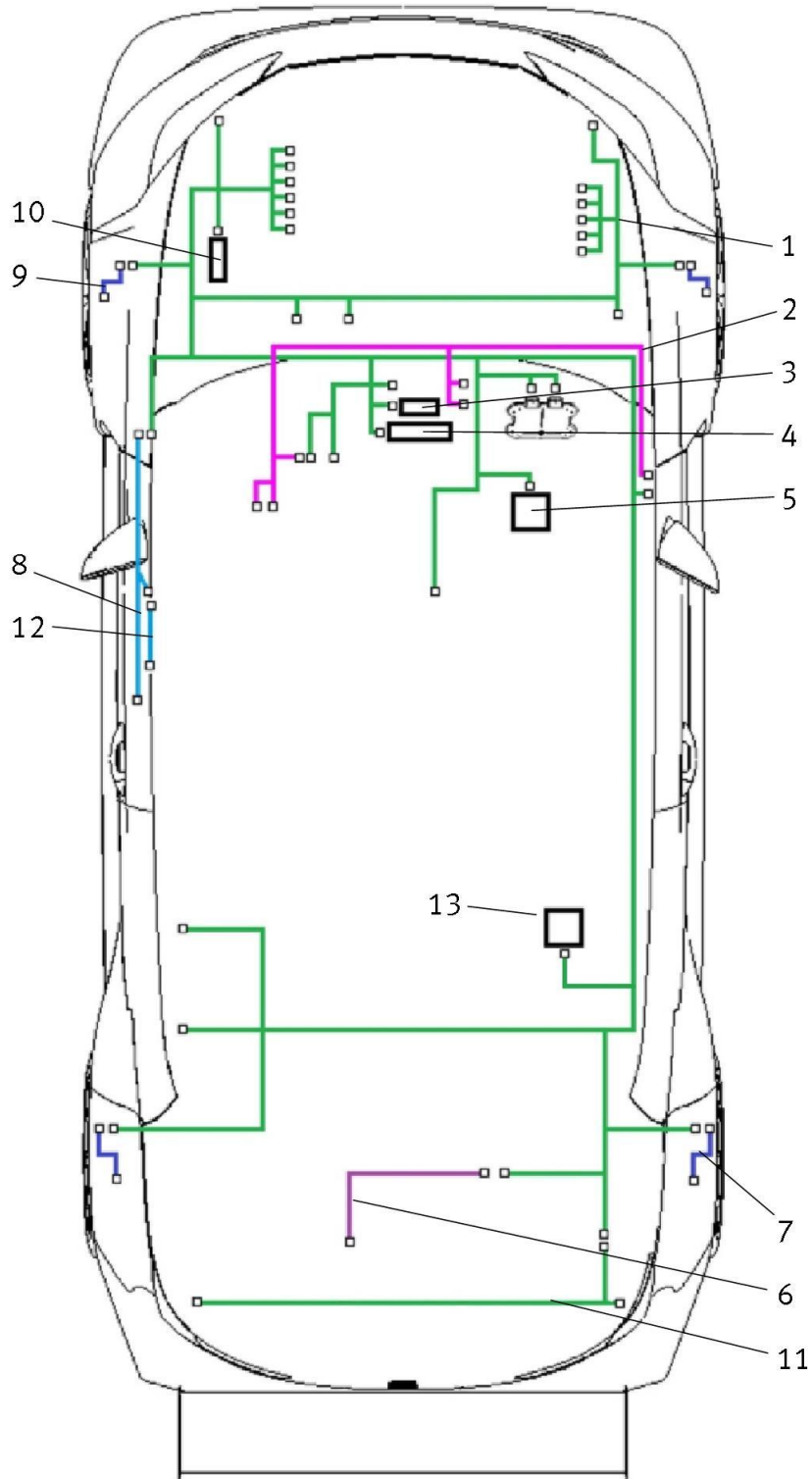
DATA LOGGER



DATA LOGGER

Part n°	Reference	Description	Qty.
1	8S6919604	DISPLAY MXG (AIM)	1
2	5F6919889	GPS (ANTENNA & CABLE)	1
3	V3GL906609	CONNECTION MODULE -AIM-	1
4	V3FL918251	SMARTY CAM GP AIM w/CABLE	1
5	V3FL918655	ROLL-BAR SMARTY CAM SUPPORT	1
6	8S6971516	CONNECTING CABLE	1

WIRING LOOM 1

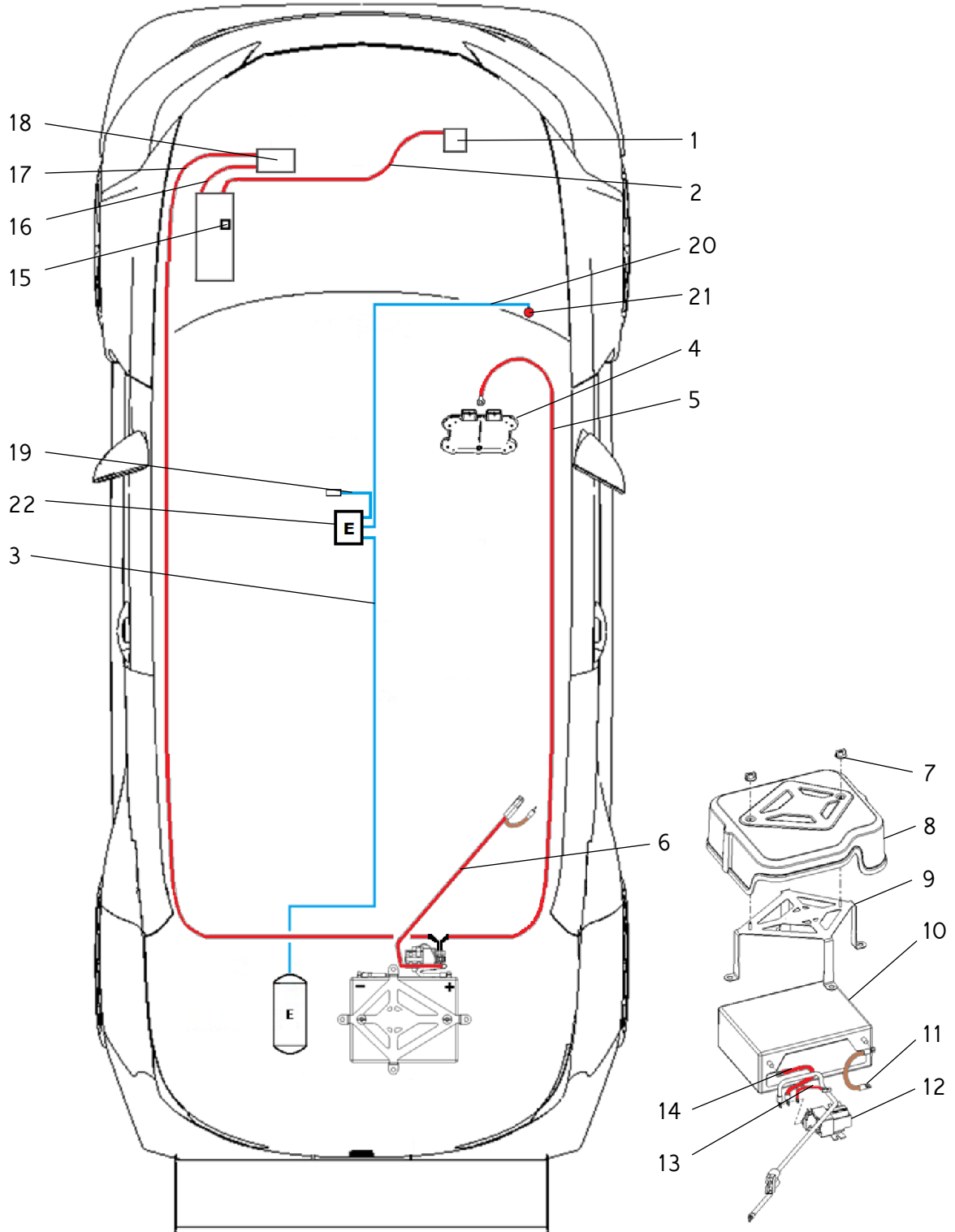


WIRING LOOM 1

Part n°	Reference	Description	Qty.
1	8S6970000	KSK WIRING LOOM	1
2	V3FL971631	DATA LOGGER WIRING LOOM	1
3	8S6907530	GATEWAY	1
4	8S6900002	BLACK BOX	1
5	8S6614111	ABS UNIT	1
6	8S6971147	BOOT LID WIRING LOOM	1
7	V3FL971937	REAR LEFT HARNESS WHEEL RPM WIR	1
7bis	V3FL971938	REAR RIGHT HARNESS WHEEL RPM WIR	1
8	8S6971035	DOOR WIRING LOOM	1
9	V3FL971217	FRONT LEFT HARNESS WHEEL RPM WIR	1
9 bis	V3FL971218	FRONT RIGHT HARNESS WHEEL RPM WIR	1
10	8S6906259	ECU ENGINE WITH P2P	1
11	8S6971174	HARNESS REAR END	1
12	8S6971763	CONNECTING CABLE	1
13	4F1906093C	PWM FUEL PUMP MODULE	1
*	_06K972627AP	WIRING SET FOR ENGINE	1
*	5F6614235	BRACKET (ABS UNIT)	1

* NOT REPRESENTED

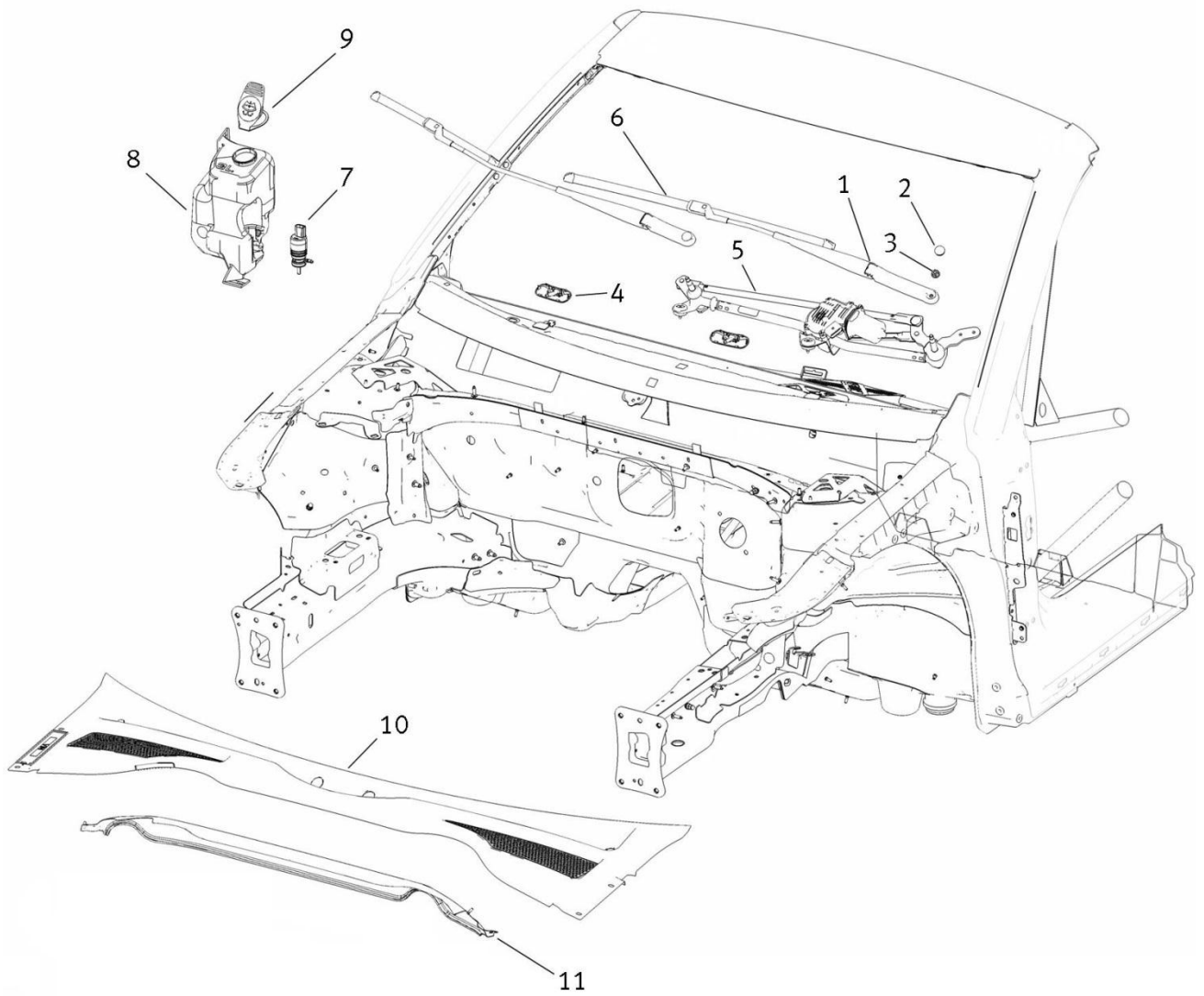
WIRING LOOM 2



WIRING LOOM 2

Part n°	Reference	Description	Qty.
1	_06J903023G	ALTERNADOR 14V 140A	1
2	_5Q0971230AE	WIRING SET FOR THREE-PHASE ALTERNADOR	1
3	8S6971563	EXTINGUISHER WIRING LOOM	1
4	5F6907070	FUSE BOX	1
5	V3FL971318	POWER WIRING LOOM FOR FUSE-BOX	1
6	V3FL971226	BATTERY WIRING LOOM	1
7	VN0003130325	NUT WITH TEETH M6 DIN6923 BI. 8.8	2
8	V3FL801293	BATTERY HOUSING UNIT	1
9	V3FL915303	BATTERY SUBJECTION	1
10	V3GT915105	BATTERY 40Ah	1
11	V4PL971235	BATTERY EARTH CABLE	1
12	VN0008134300	RELAY BATTERY DISCONNECTION	1
13	V3FL971358	WIRING LOOM (FROM RELE TOWARDS DISCONN	1
14	V3FL971372	BATTERY TO MAIN SWITCH RELAY	1
15	_5Q0937629A	BCM CONTROL UNIT	1
16	V3FL971104	POWER WIRING LOOM (FROM STARTER TOWARDS	1
17	8S6971793	HARNESS STARTER	1
18	_02E911023S	STARTER	1
19	8S6971563A	EXTINGUISHER PUSH BUTTON	1
20	8S6971563B	EXTENSION CABLE	1
21	8S6971563C	EXTERNAL EXTINGUISHER	1
22	450963131C	EXTINGUISHER MODULE ECU	1

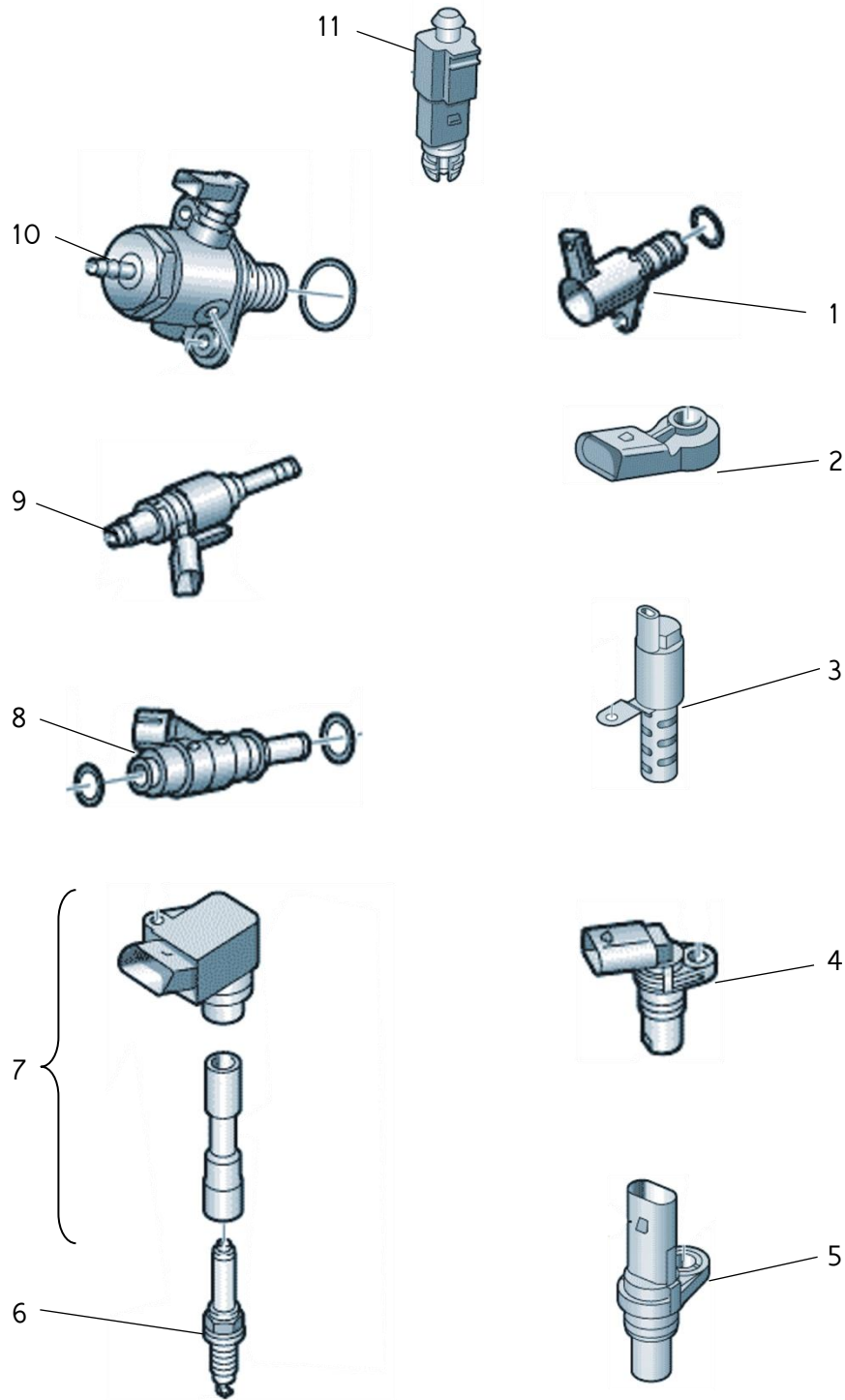
WINDSCREEN WASHER



WINDSCREEN WASHER

Part n°	Reference	Description	Qty.
1	_8S1955405	WIPER ARM	1
1 bis	_8S1955406	WIPER ARM	1
2	_1J0955205A9B9	CAP	2
3	_N__10609201	HEXAGON COLLAR NUT M8	2
4	_8S0955987	SPRAY JET	1
4 bis	_8S0955988	SPRAY JET	1
5	_8S1955023	WIPER MOTOR	1
6	_8S1998002	1 SET AERODYNAMIC WIPER BLADES	1
7	_1K5955651	WINDOW WATER PUMP	1
8	_1J0955453P	WASH WATER RESERVOIR	1
9	_1K0955455	END CAP	1
10	_8S1819401A	PLENUM PANEL COVER	1
11	_8S0806239	PLENUM PANEL	1

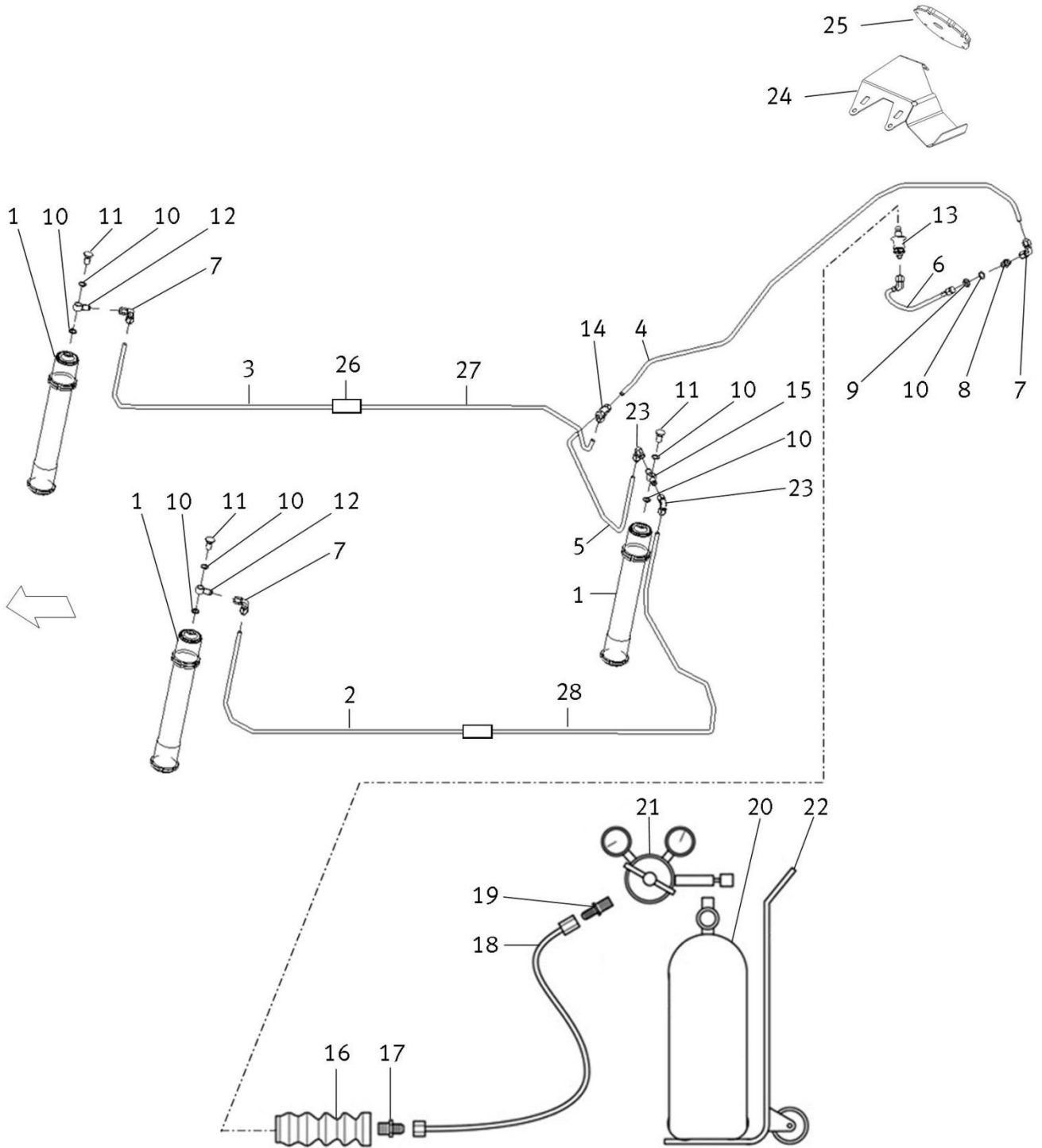
ELECTRONIC COMPONENTS



**ELECTRONIC COMPONENTS**

Part n°	Reference	Description	Qty.
1	_06K115243N	CONTROL VALVE	1
2	_06K905376	KNOCK SENSOR	1
3	_04E906455D	CONTROL VALVE CAMSHAFT	1
4	_04C907601	IMPULSE SENDER CAMSHAFT	1
5	_06H906433C	IMPULSE SENDER CRANKSHAFT	1
6	_06K905601B	SPARK PLUG NGK	4
7	_06J905110F	IGNITION COIL WITH SPARK PLUG CONNECTOR	4
8	_06L906031A	INJECTION VALVE	4
9	_06L906036H	INJECTION VALVE	4
10	_06L127025M	HIGH PRESSURE FUEL PUMP	1
11	_8Z0820535A	EXTERNAL TEMPERATURE SENSOR	1

AIRJACK SYSTEM

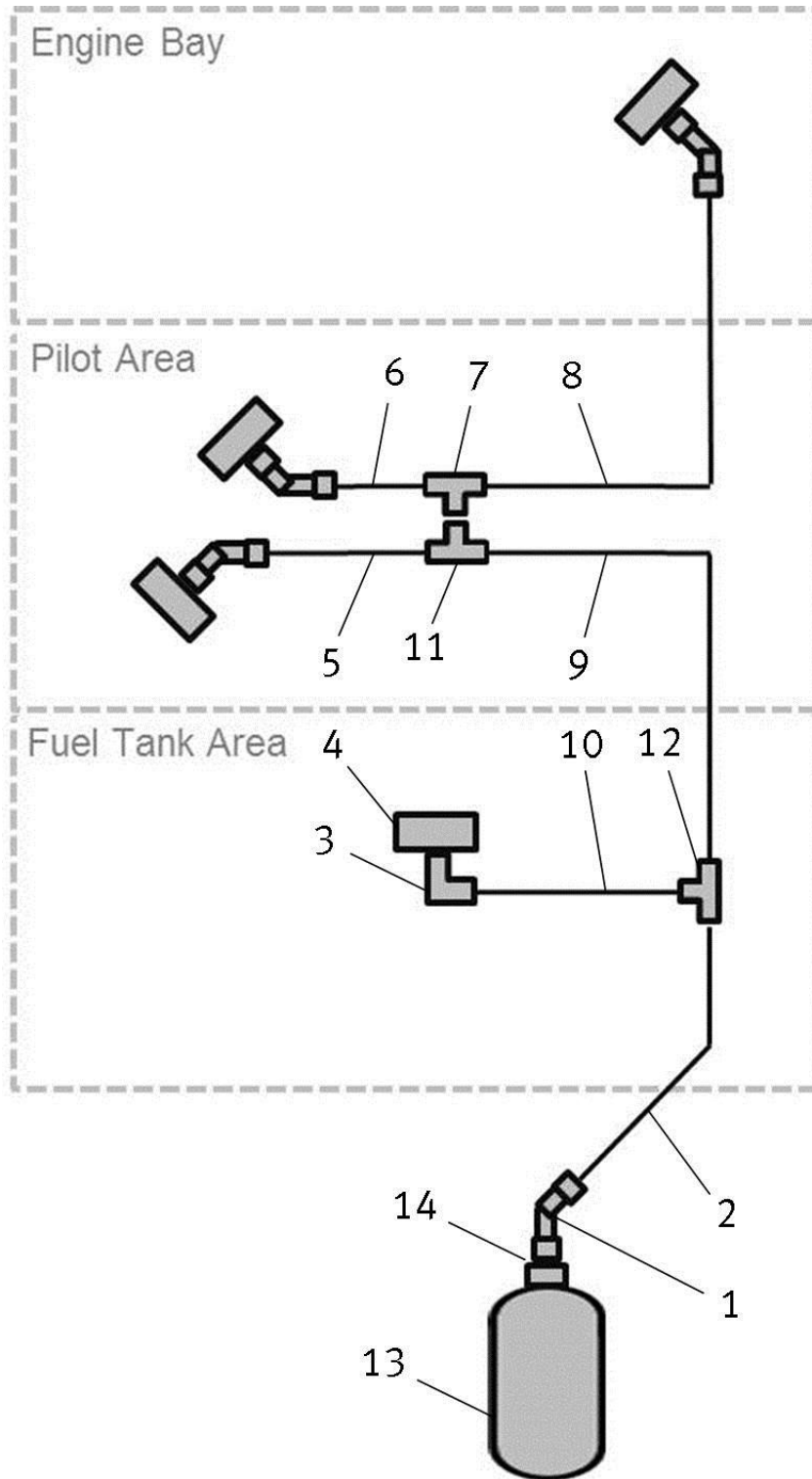


AIRJACK SYSTEM

Part n°	Reference	Description	Qty.
1	42A011031C	AIRJACK CYLINDER	3
2	8S6011227	AIR LINE	1
3	8S6011228	AIR LINE	1
4	8S6011228B	AIR LINE	1
5	8S6011228C	AIR LINE	1
6	8S6011228D	AIR LINE	1
7	VN0005104300	ALU. ELBOW 90° FEMALE-TUBE Ø10MM	3
8	VN0005107300	BULKHEAD ADAPTER 06D-06D	1
9	VN0005108300	ALUMINIUM NUT 9/16-18 UNF	1
10	VN0002352500	ALUMINIUM WASHER Ø14X20 DIN 7603	7
11	VN0005008400	BANJO BOLT M14X1.5 L=25	3
12	VN0005013800	BANJO Ø14MM (M/) 06D	2
13	V4PL011011	FAST CONNECTOR	1
14	VN0005102200	ADAPTER T3X10MM	1
15	VN0005015400	BANJO Ø14MM DOUBLE (M/M)06D-06D	1
16	V4PL011015	AIR-JACK CONECTOR	1
17	VN0005174200	MALE-MALE ADAPTER M16x1,5-04D	1
18	V4PL011108	PIPE	1
19	V131617100	ADAPTER 3/8-19 BSP-7/16-20	1
20	V2ML011102	18 LTS BOTTLE	1
21	V2ML011120A	REDUCTOR 200B 0-50 BAR	1
22	V2ML011132	TRANSPORTATION CART	1
23	VN0005103300	ALU. ELBOW 45° FEMALE-TUBE Ø10MM	2
24	8S6011261A	COVER	1
25	8S6807787	FASTENING PART (G)	1
26	VN0005102800	ADAPTER Ø10MM	2
27	8S6011228A	AIR LINE	1
28	8S6011227A	AIR LINE	1
*	_8S0809857E3Q7	FUEL FILLER DOOR	1

* NOT REPRESENTED

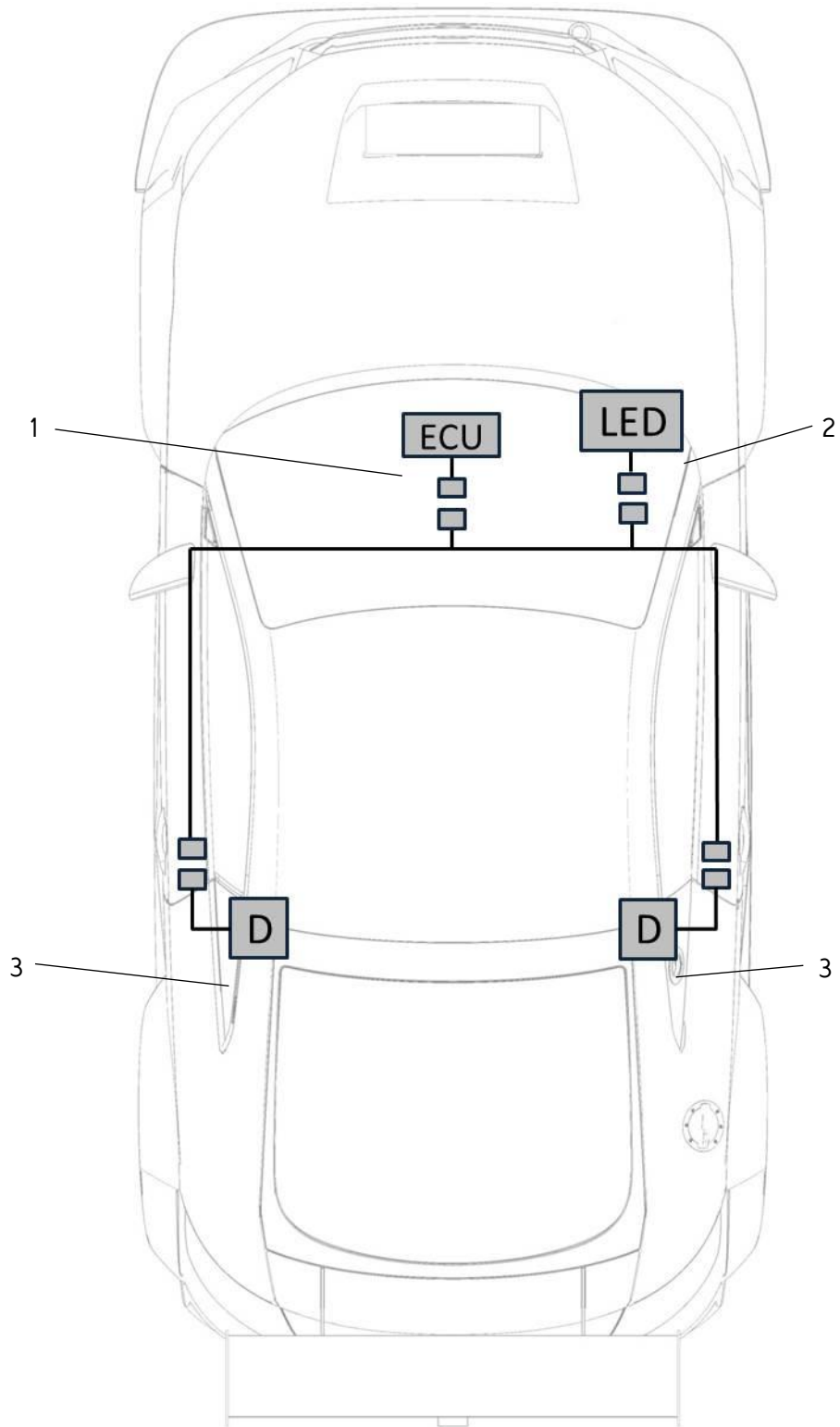
EXTINGUISHER



EXTINGUISHER

Part n°	Reference	Description	Qty.
1	VN0005103300	ALU. ELBOW 45° FEMALE-TUBE Ø10MM	4
2	8S6860509	TUBE 1	1
3	VN0005104300	ALU. ELBOW 90° FEMALE-TUBE Ø10MM	1
4	42A860276	NOZZLE	4
5	8S6860509C	TUBE 4	1
6	8S6860509E	FLEXIBLE TUBE	1
7	VN0005102500	ALUMINIUM T Ø10-06D FEMALE	1
8	8S6860509D	FLEXIBLE TUBE	1
9	8S6860509B	TUBE 3	1
10	8S6860509A	TUBE 2	1
11	VN0005102600	ALUMINIUM T Ø10-06D FEMALE	1
12	VN0005102200	ADAPTER T3X10MM	1
13	450860277A	EXTINGUISHER	1
14	450860288	DETONATOR / ACTUATOR	1
*		REFILL OF BOTTLE	1

PUSH TO PASS





PUSH TO PASS

Part n°	Reference	Description	Qty.
1	_5GV971418	P2P ECU	1
2	8S6919416	BLUE LED LIGHT (Z)	1
2 bis	_3B0972712	AFS CONNECTOR 1,5MM	1
2 bis	VN0008009400	MALE TERMINAL 0,5-1,0 T1MB #914300	2
3	8S6919619	DISPLAY (LEFT)	1
4	8S6919620	DISPLAY (RIGHT)	1

 Audi Sport
TT Cup

2015 SPARE PARTS ORDER

CUSTOMER NAME:

INVOICE TO:

DELIVERY ADDRESS :

CUSTOMER ORDER Nº

ORDER DATE

REFERENCE

DESCRIPTION

QTY

COMMENTS

SEAT Sport, S.A. informs you that pursuant to the Organic Law 15/1999, of 13 December, on the Protection of Personal Data and its Regulation, your personal data will be incorporated into a file under the responsibility of SEAT Sport, S.A. and processed for the service and handling of the requested products, as well as to send you by electronic means, information and publicity that may be of your interest regarding products, services, promotions and news of SEAT Sport, S.A.
We inform you that through the filling out of this form you authorize SEAT Sport, S.A. to process your data for the aforementioned purposes.
You may exercise the rights of access, rectification, cancellation and opposition by writing to SEAT Sport, S.A. at the following address: Sporting dept, Avda. Can Amat, 7, 08630, Abrera, Barcelona, or sending an email to informacionSEATSport@seates.
Please tick this box if you do not wish to receive any commercial information of products or services provided by SEAT Sport, S.A.